



REV	DATE	RELEASED REVISION	DWN
A	01/04/2009	RELEASED	-
-	-	-	-
-	-	-	-

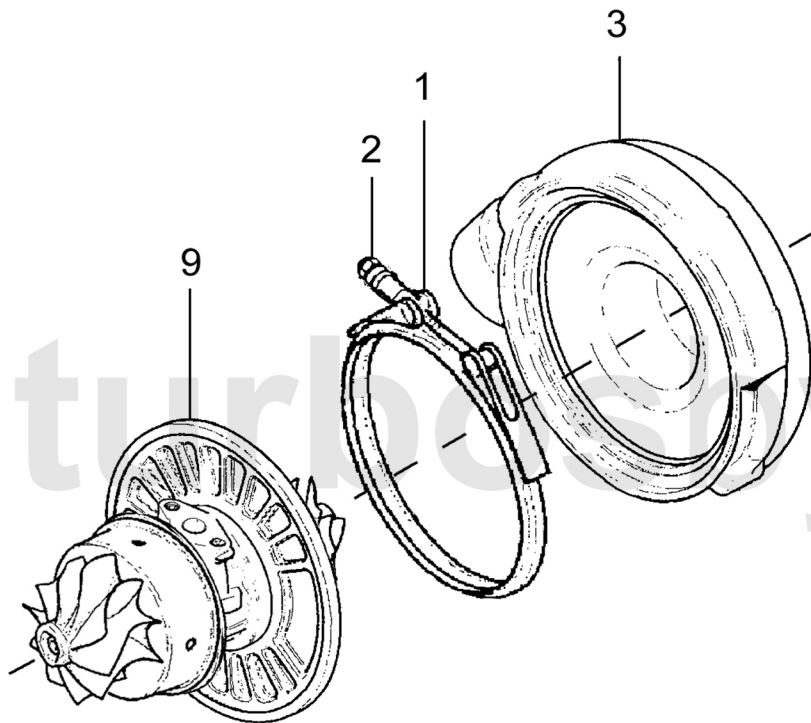
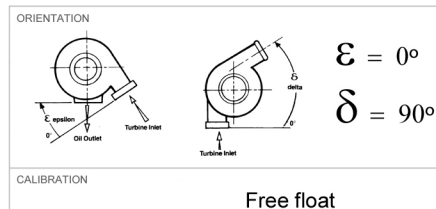


Fig	Description	Part number
1	V clamp	446401-0925
2	Nut	400515-0212
3	Compressor housing	737942-0019
5	Nut	400515-0212
9	C.H.R.A.	769210-5002S
15	Plug (comp.hsg.)	400809-0203



Note: Illustration for reference only, may not resemble actual part.



TM Sport & Racing

Garrett
by Honeywell

TITLE: **GT4718R**

SIZE: A	PART NO.: 775839-5002S	REV: A
----------------	-------------------------------	---------------

DRAWN: ACS DATE: 28/11/2014 CHECKED: SHEET: 1 OF 1