



REV		DATE	RELEASED REVISION	DWN
A		01/07/2005	RELEASED	-
-	-	-	-	-
-	-	-	-	-

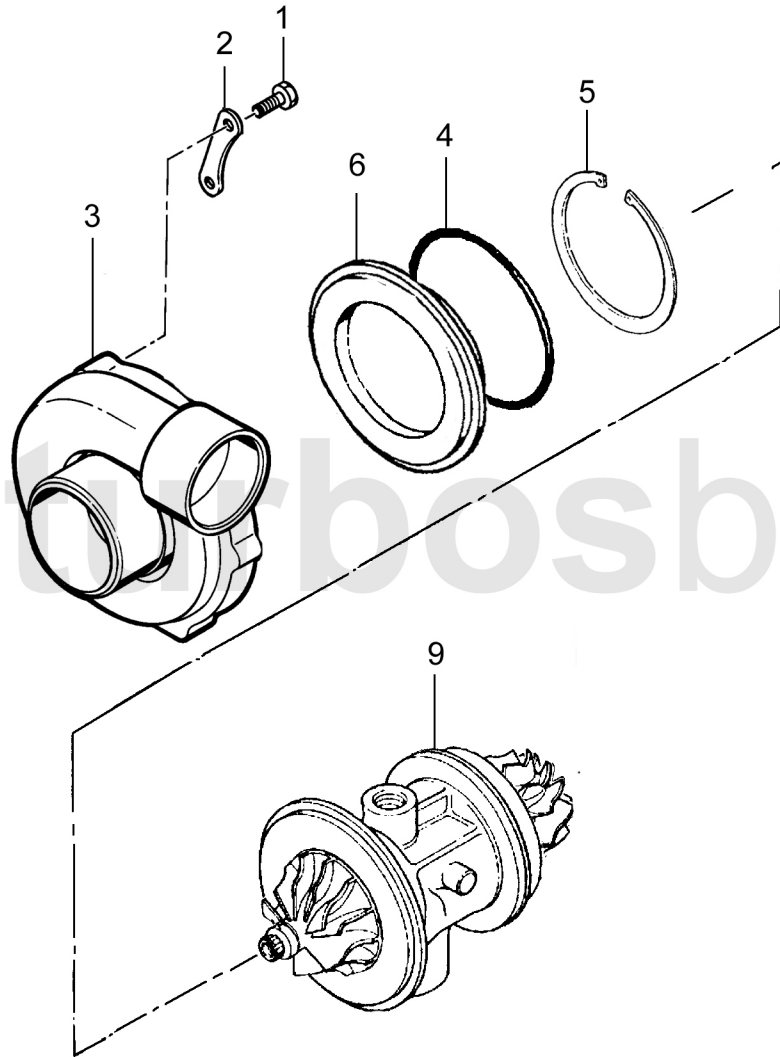
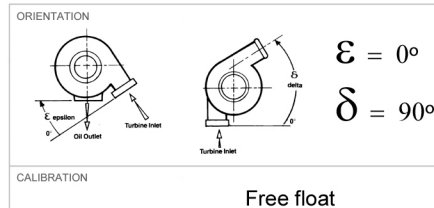


Fig	Description	Part number
1	Bolt x 6	400975-0203
2	Clamp x 3	407875-0000
3	Compressor housing	409722-0030
4	O-ring	403069-0164
5	Retainig ring	400589-0375
6	Adapter ring	451607-0000
9	C.H.R.A.	706451-5005S



Note: Illustration for reference only, may not resemble actual part.



TITLE			
GT3582R			
SIZE	PART NO.		REV
A	815113-5001S		A
DRAWN:	DATE:	CHECKED:	SHEET: 1 OF 1
ACS	28/03/2015		