



REV	DATE	RELEASED REVISION	DWN
A	01/05/2008	RELEASED	-
-	-	-	-
-	-	-	-

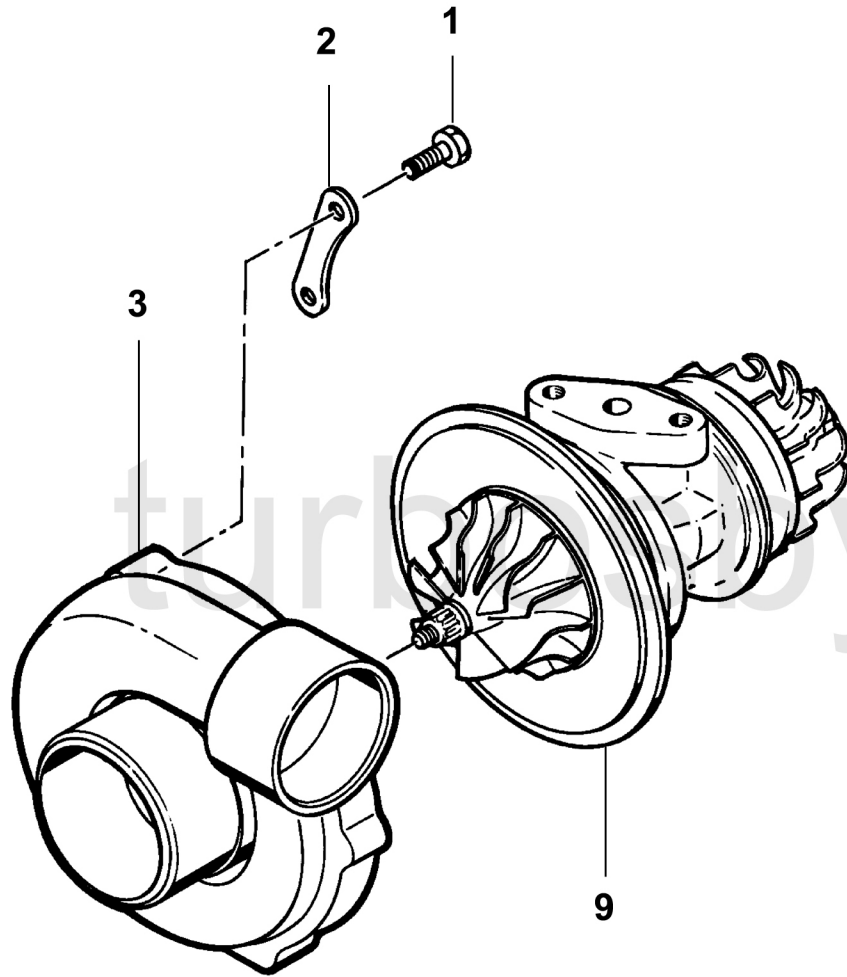
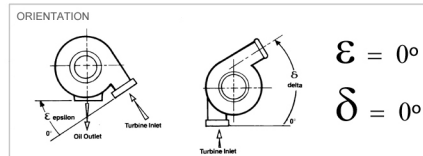


Fig	Description	Part number
1	Bolt x 6	400975-0203
2	Clamp x 3	809964-0001
3	Compressor housing	786644-0009
9	C.H.R.A.	715582-5008S

Note: Illustration for reference only, may not resemble actual part.



CALIBRATION Free float



TITLE		GTW3884	
SIZE	PART NO.	REV	
A	841297-5003S	A	
DRAWN: ACS	DATE: 27/01/2015	CHECKED:	SHEET: 1 OF 1