



REV	DATE	RELEASED REVISION	DWN
A	01/05/2008	RELEASED	-
-	-	-	-
-	-	-	-

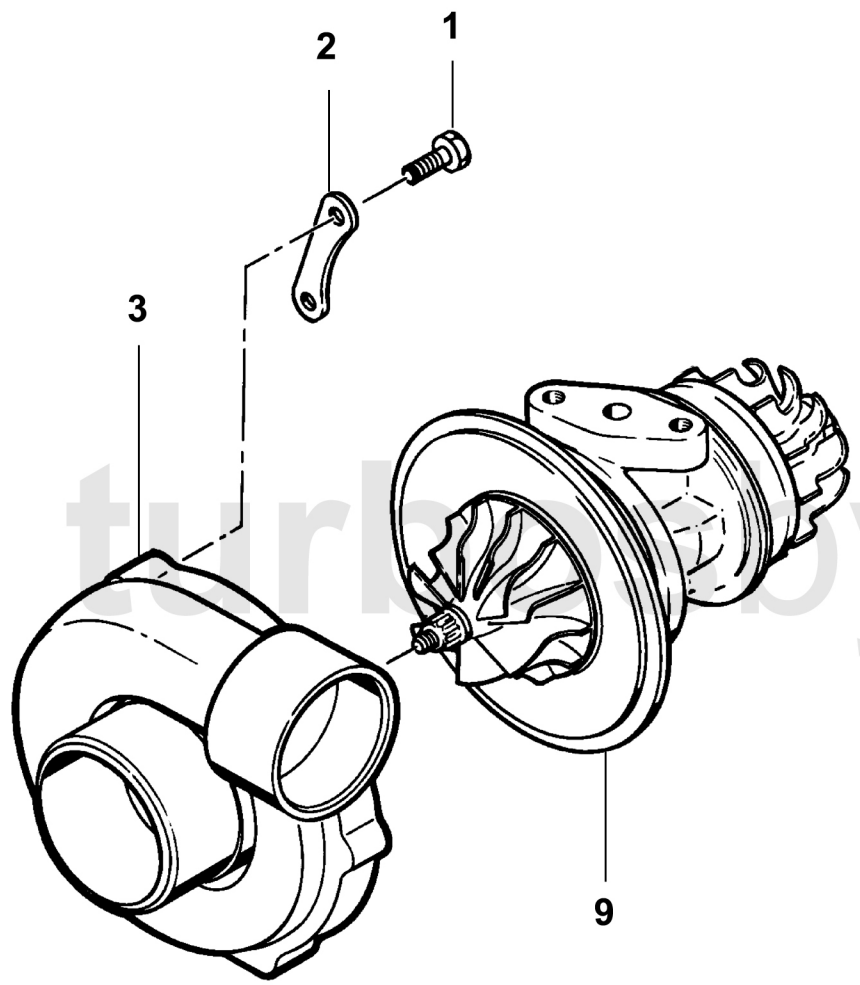
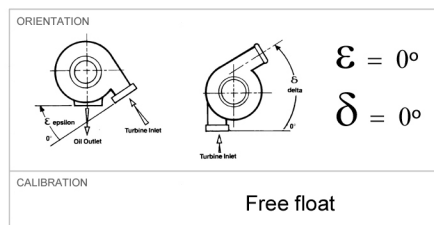


Fig	Description	Part number
1	Bolt x 6	400975-0203
2	Clamp x 3	809964-0001
3	Compressor housing	786644-0013
9	C.H.R.A.	757197-5011S



Note: Illustration for reference only, may not resemble actual part.



TM Sport & Racing

Garrett
by Honeywell

TITLE: **GTW3684R**

SIZE: A	PART NO.: 841691-5002S	REV: A
----------------	-------------------------------	---------------

DRAWN: ACS DATE: 25/03/2015 CHECKED: SHEET: 1 OF 1