



REV		DATE	RELEASED REVISION	DWN
A		01/08/2012	RELEASED	-
-		-	-	-
-		-	-	-

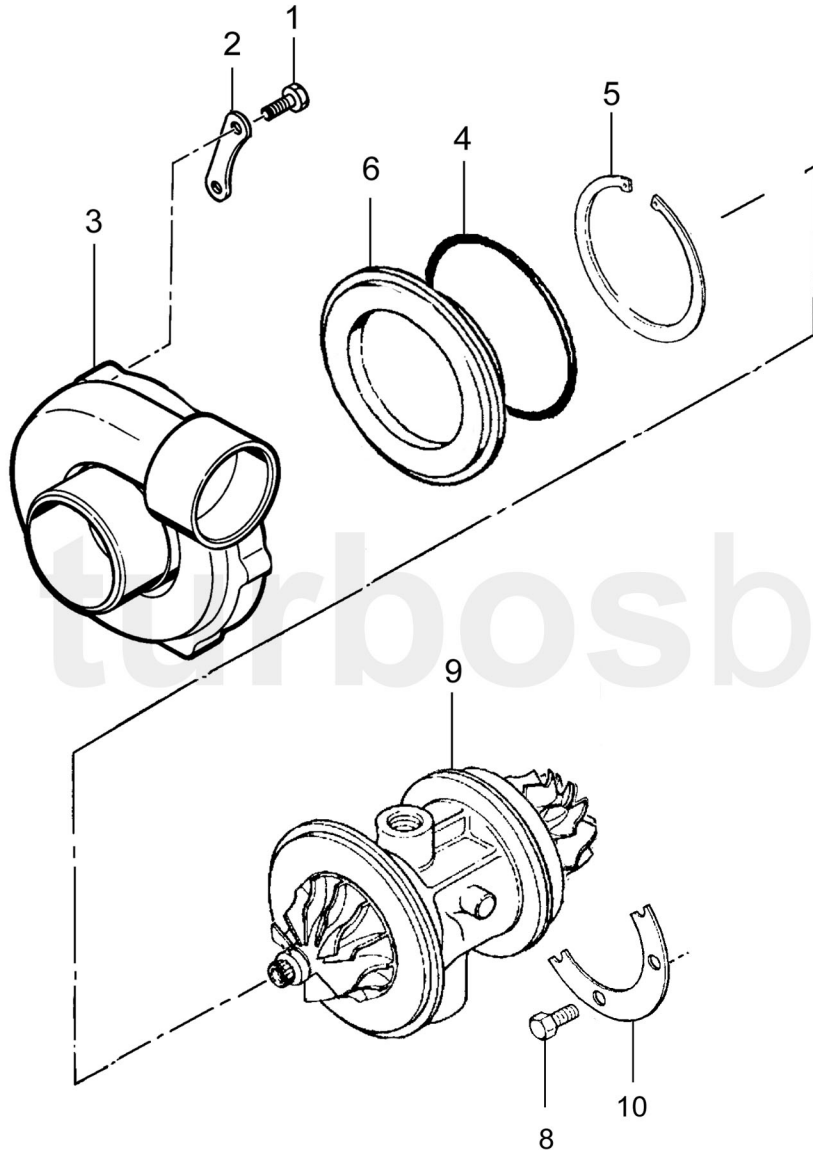
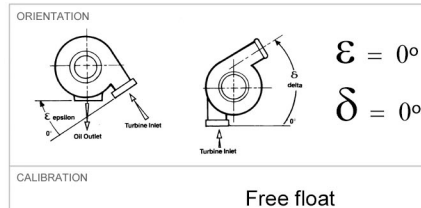


Fig	Description	Part number
1	Bolt x 6	400975-0203
2	Clamp x 3	809964-0001
3	Compressor housing	848253-0076
4	O-ring	403069-0164
5	Retaining ring	400589-0375
6	Adapter	810106-0001
8	Bolt x 6	400677-0816
9	C.H.R.A.	844070-5004S
10	Clamp x 2	449028-0001

Note: Illustration for reference only, may not resemble actual part.



TITLE		GTX3582R	
SIZE	PART NO.	REV	
A	844626-5004S	A	
DRAWN:	DATE:	CHECKED:	SHEET: 1 OF 1
ACS	03/09/2017		