



REV	DATE	RELEASED REVISION	DWN
A	01/08/2012	RELEASED	-
-	-	-	-
-	-	-	-

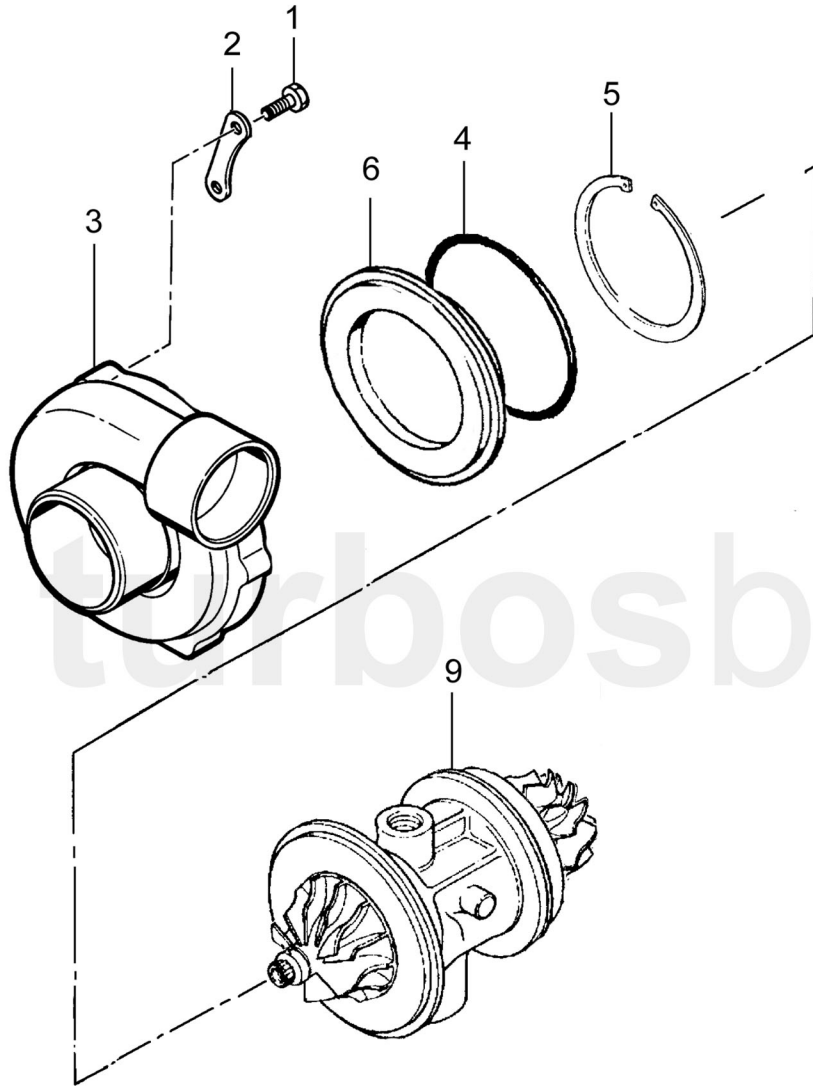
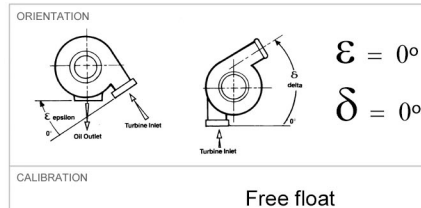


Fig	Description	Part number
1	Bolt x 6	400975-0303
2	Clamp x 3	407875-0000
3	Compressor housing	848253-0068
4	O-ring	403069-0164
5	Retaining ring	400589-0375
6	Adapter	448751-0001
9	C.H.R.A.	836012-5008S

Note: Illustration for reference only, may not resemble actual part.



TITLE  
**GTX2867R Gen2**

SIZE A	PART NO. 849894-5002S	REV A
-----------	--------------------------	----------

MATERIAL	DRAWN: ACS	DATE: 18/10/2016	CHECKED:	SHEET: 1 OF 1
----------	------------	------------------	----------	---------------