



REV		DATE	RELEASED REVISION	DWN
A		01/08/2012	RELEASED	-
-		-	-	-
-		-	-	-

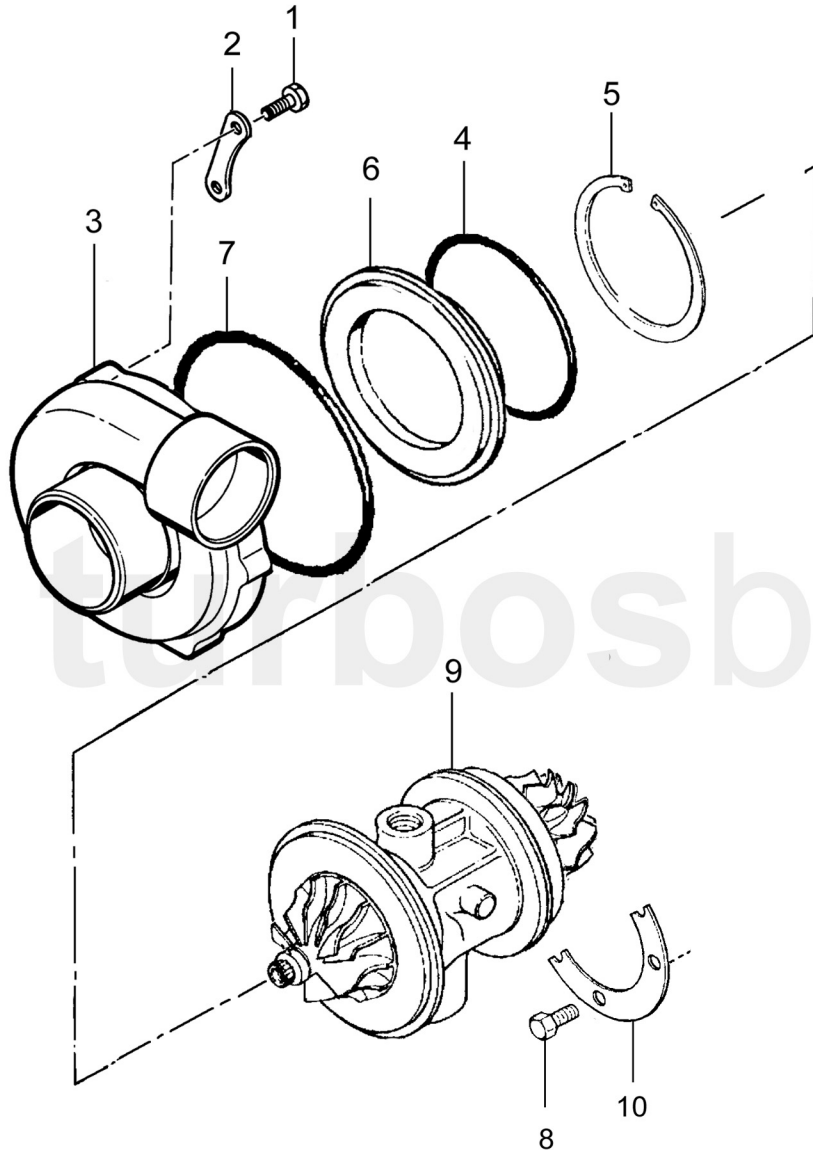
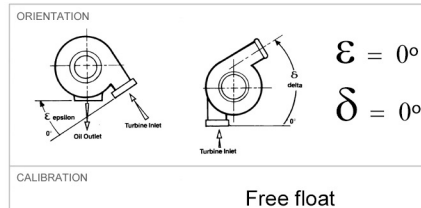


Fig	Description	Part number
1	Bolt x 6	400627-0810
2	Clamp x 2	443136-0001
3	Compressor housing	848253-0070
4	O-ring	403069-0164
5	Retaining ring	400589-0375
6	Adapter	810107-0001
7	O ring	403069-0077
8	Bolt x 6	400788-0816
9	C.H.R.A.	836014-5004S
10	Clamp x 2	449028-0001

Note: Illustration for reference only, may not resemble actual part.



TITLE
GTX3076R Gen2

SIZE A	PART NO. 851154-5001S	REV A
------------------	---------------------------------	-----------------

MATERIAL	DRAWN: ACS	DATE: 21/05/2019	CHECKED:	SHEET: 1 OF 1
----------	---------------	---------------------	----------	---------------