



REV		DATE	RELEASED REVISION	DWN
A		01/08/2012	RELEASED	-
-	-	-	-	-
-	-	-	-	-

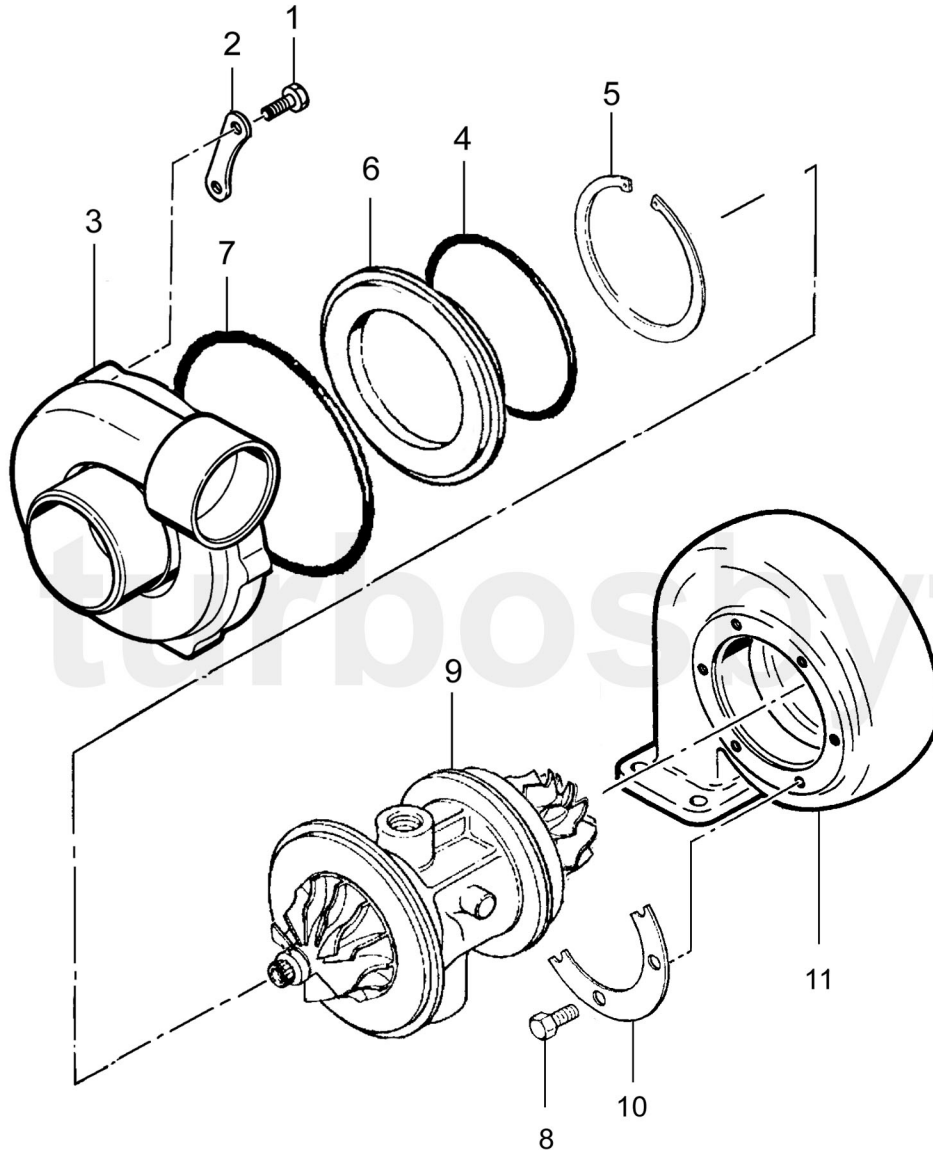
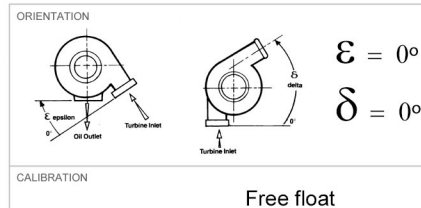


Fig	Description	Part number
1	Bolt x 6	400627-0810
2	Clamp x 2	443136-0001
3	Compressor housing	848253-0074
4	O-ring	403069-0164
5	Retaining ring	400589-0375
6	Adapter	448420-0002
7	O ring	403069-0077
8	Bolt x 6	400788-0816
9	C.H.R.A.	844064-5003S
10	Clamp x 2	449028-0001
11	Turbine housing	740902-0054

Note: Illustration for reference only, may not resemble actual part.



TITLE
GTX3071R Gen2

SIZE A	PART NO. 856802-5002S	REV A
-----------	--------------------------	----------

MATERIAL	DRAWN: ACS	DATE: 03/09/2017	CHECKED:	SHEET: 1 OF 1
----------	------------	------------------	----------	---------------