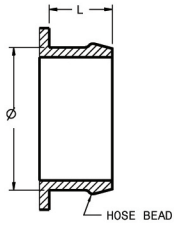


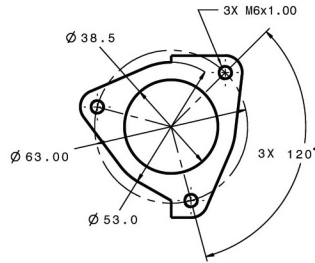
Compressor Inlet

HOSE CONNECTIONS
TABULATED AS (Ø x L)

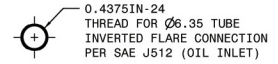


Ø 60 x 30

Compressor Outlet

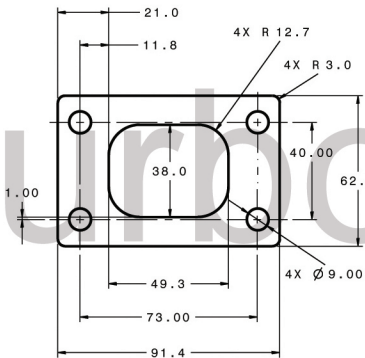


Oil Inlet



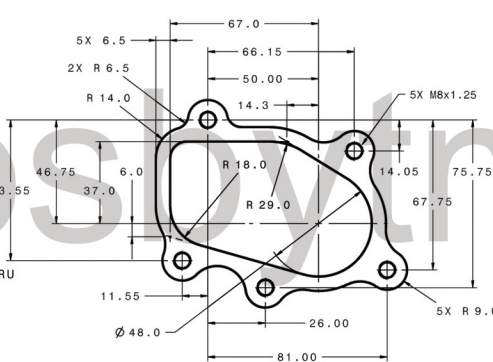
Turbine Inlet

"T25"

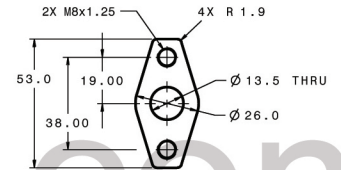


Turbine Outlet

"5 BOLT"



Oil Outlet



Water

M14 x 1.50

