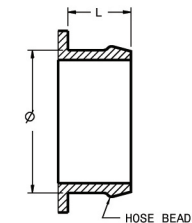


Compressor Inlet

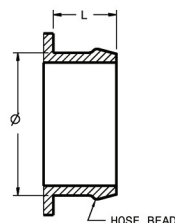
HOSE CONNECTIONS
TABULATED AS (Ø x L)



Ø 102 x 31.75

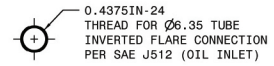
Compressor Outlet

HOSE CONNECTIONS
TABULATED AS (Ø x L)



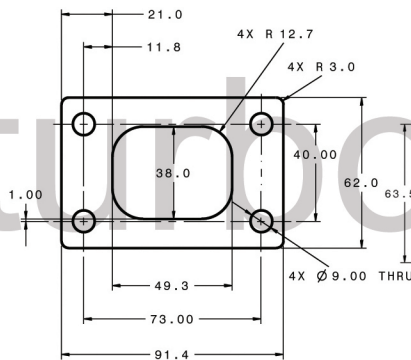
Ø 50.8 x 30

Oil Inlet



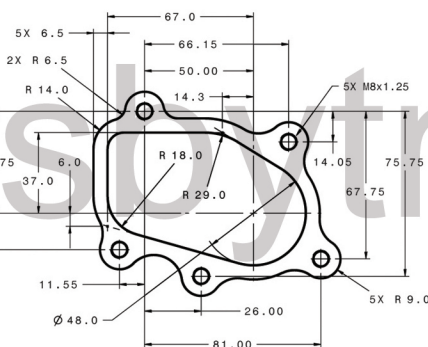
Turbine Inlet

"T25"

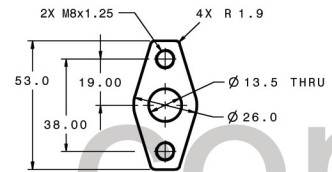


Turbine Outlet

"5 BOLT"



Oil Outlet



Water

M14 x 1.50

