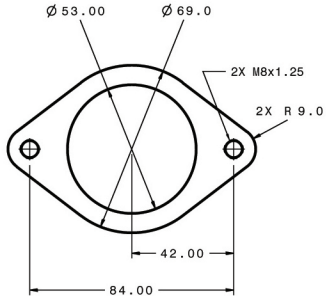
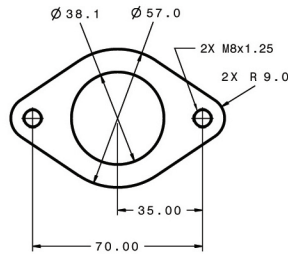


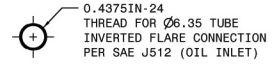
Compressor Inlet



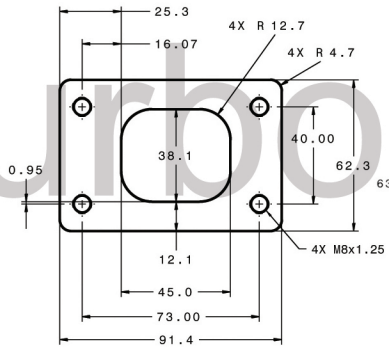
Compressor Outlet



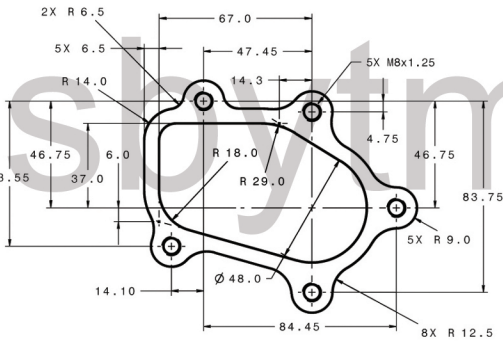
Oil Inlet



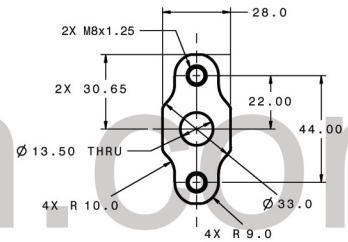
Turbine Inlet
"T25 WITH STUDS"



Turbine Outlet
"5 BOLT"



Oil Outlet



Water

M14 x 1.50

