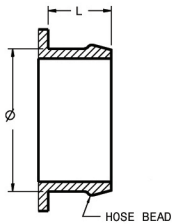
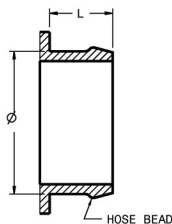


**Compressor Inlet**  
HOSE CONNECTIONS  
TABULATED AS (Ø x L)



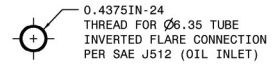
Ø 69.85 x 31.75

**Compressor Outlet**  
HOSE CONNECTIONS  
TABULATED AS (Ø x L)

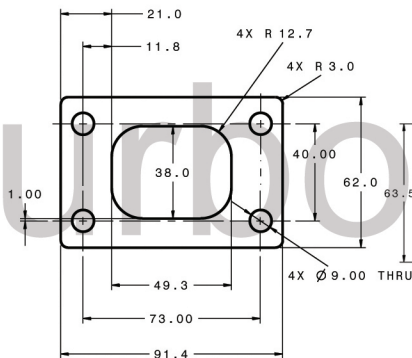


Ø 50.8 x 30

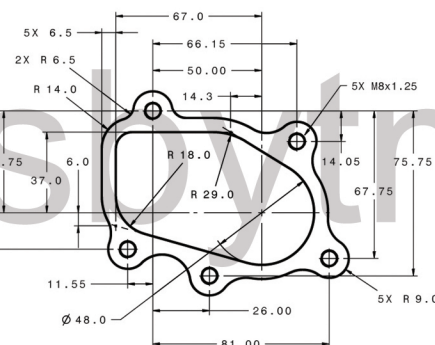
**Oil Inlet**



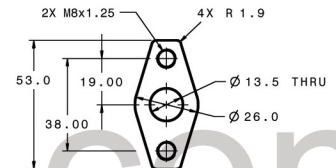
**Turbine Inlet**  
"T25"



**Turbine Outlet**  
"5 BOLT"



**Oil Outlet**



Water  
M14 x 1.50

