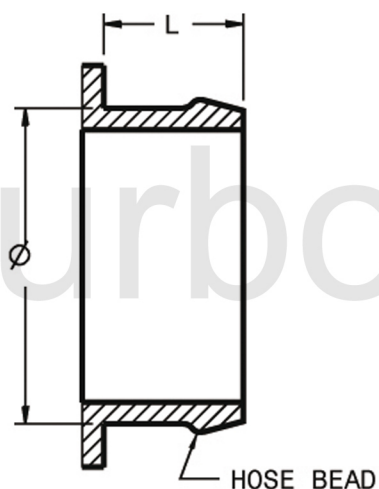


REV	DATE	RELEASED REVISION	DWN
A	-	RELEASED	-
-	-	-	-
-	-	-	-

Compressor Inlet

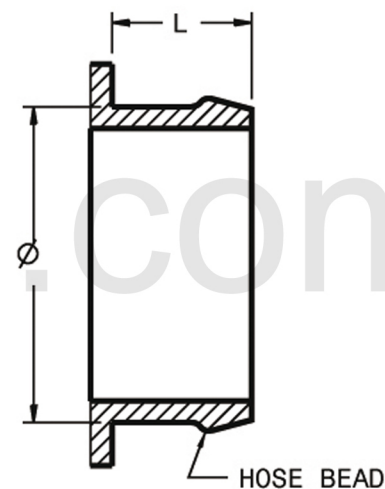
HOSE CONNECTIONS
TABULATED AS (Ø x L)



Ø 76.2 x 31.75

Compressor Outlet

HOSE CONNECTIONS
TABULATED AS (Ø x L)



Ø 51 x 30

	TITLE GARRETT GT2871 A/R 0.60 Hose 3" / Hose 2" - Trim 48	
SIZE A	PART NO. 446296-0018	REV A
MATERIAL Aluminum	DRAWN: ACS	DATE: 17/07/2014
CHECKED:		SHEET: 1 OF 1

PROPRIETARY AND CONFIDENTIAL