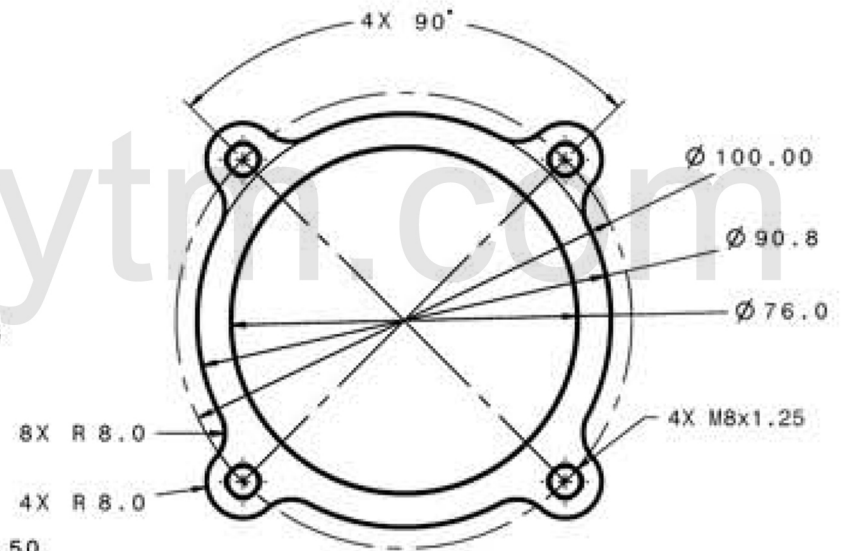
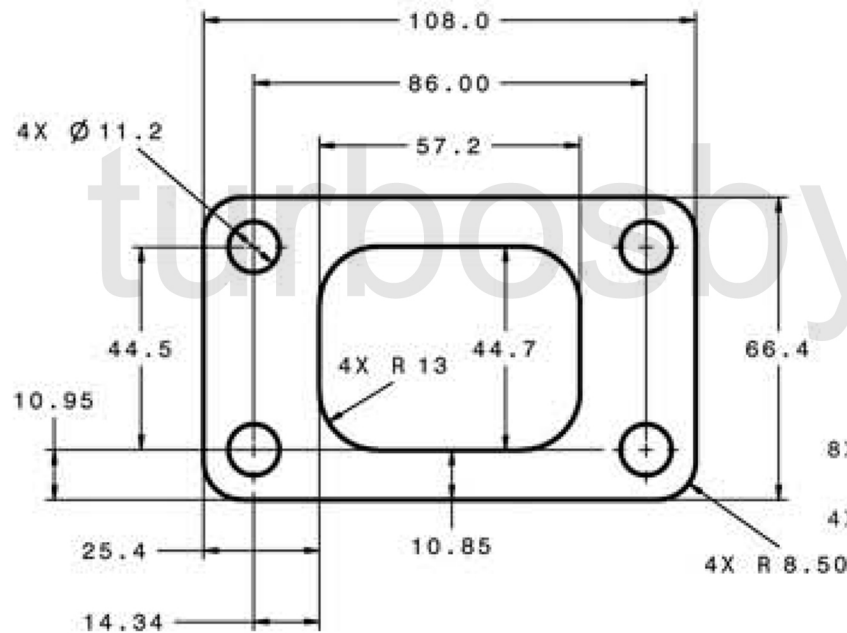





REV	DATE	RELEASED REVISION	DWN
A	-	RELEASED	-
-	-	-	-
-	-	-	-

Turbine Inlet

Turbine Outlet



PROPRIETARY AND CONFIDENTIAL

		
	TITLE GARRETT GT35/1.06 T3 - 3" / 4 bolt - Trim 84	
SIZE A	PART NO. 740902-0004	REV A
MATERIAL M3 - Ni-Resist	DRAWN: ACS	DATE: 03/07/2014
		CHECKED: _____
		SHEET: 1 OF 1