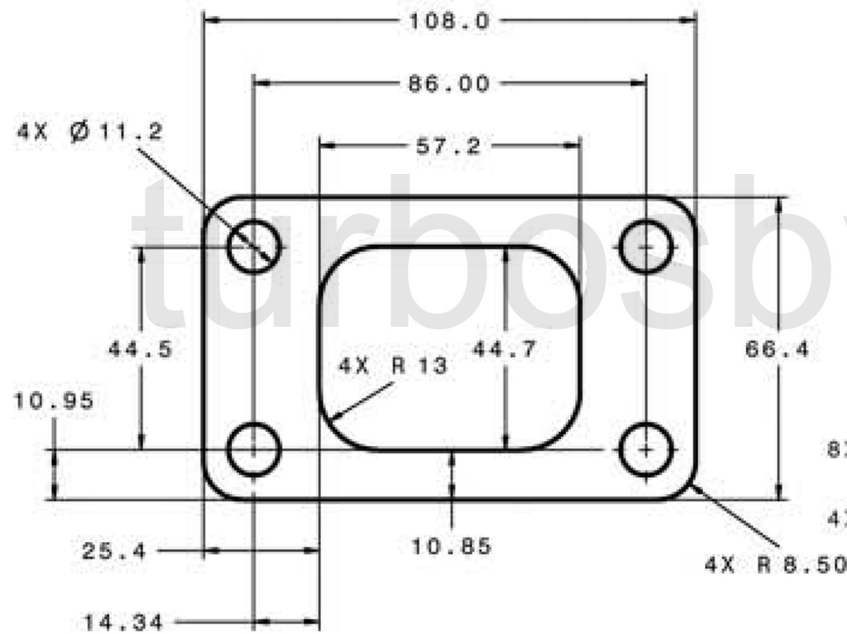
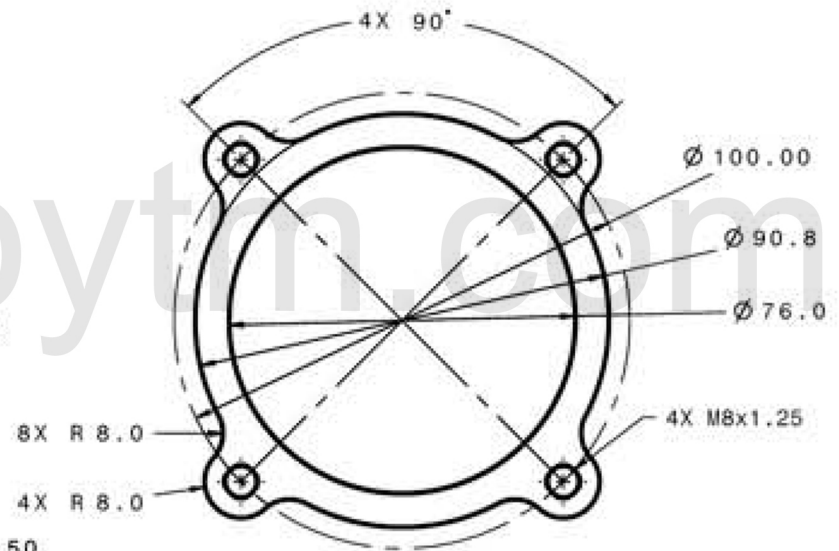





REV	DATE	RELEASED REVISION	DWN
A	-	RELEASED	-
-	-	-	-
-	-	-	-

### Turbine Inlet



### Turbine Outlet



		
	TITLE <b>GARRETT GT35/0.63</b> T3 - 3" / 4 bolt - Trim 84	
SIZE <b>A</b>	PART NO. <b>740902-0006</b>	REV <b>A</b>
MATERIAL <b>M3 - Ni-Resist</b>	DRAWN: <b>ACS</b>	DATE: <b>30/06/2014</b>
		CHECKED: _____
		SHEET: 1 OF 1

PROPRIETARY AND CONFIDENTIAL