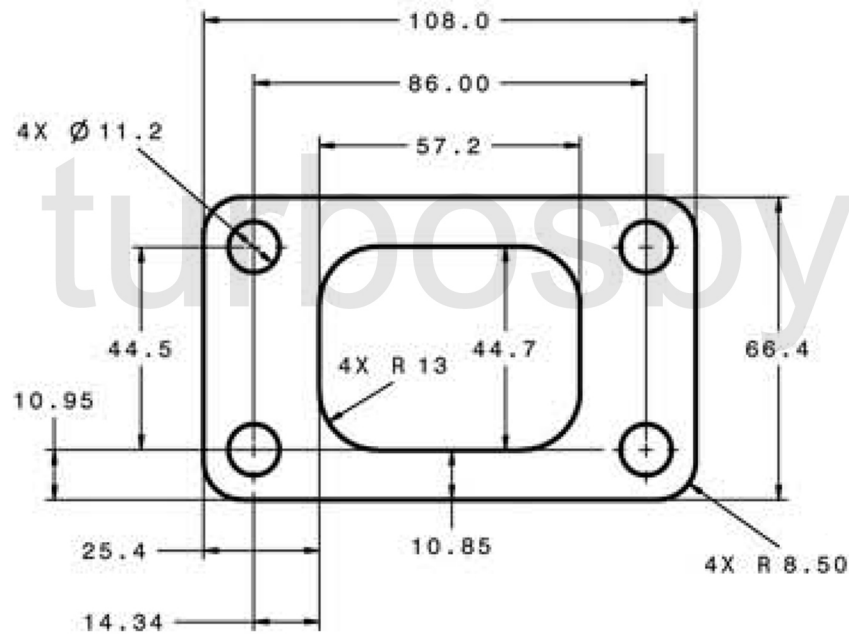
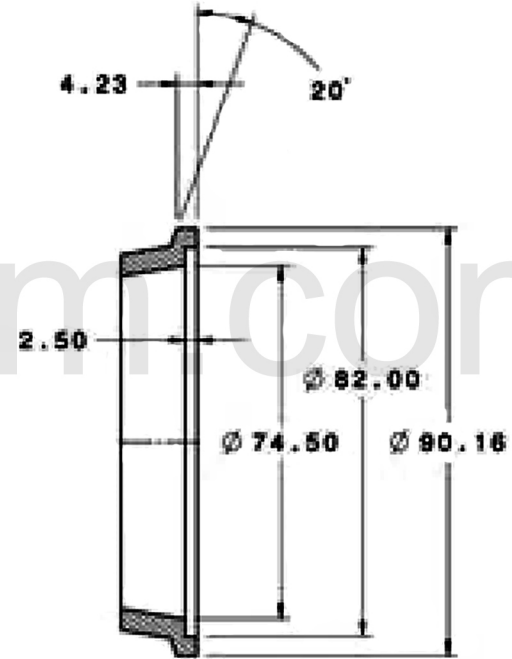


REV	DATE	RELEASED REVISION	DWN
A	-	RELEASED	-
-	-	-	-
-	-	-	-

### Turbine Inlet



### Turbine Outlet



PROPRIETARY AND CONFIDENTIAL



TITLE **GARRETT GT30/0.62**  
T3 - 3.55" / V band - Trim 84

SIZE <b>A</b>	PART NO. <b>740902-0009</b>	REV <b>A</b>
------------------	--------------------------------	-----------------

MATERIAL <b>M4 - Ni-Resist</b>	DRAWN: <b>ACS</b>	DATE: <b>05/07/2014</b>	CHECKED:	SHEET: 1 OF 1
-----------------------------------	----------------------	----------------------------	----------	---------------