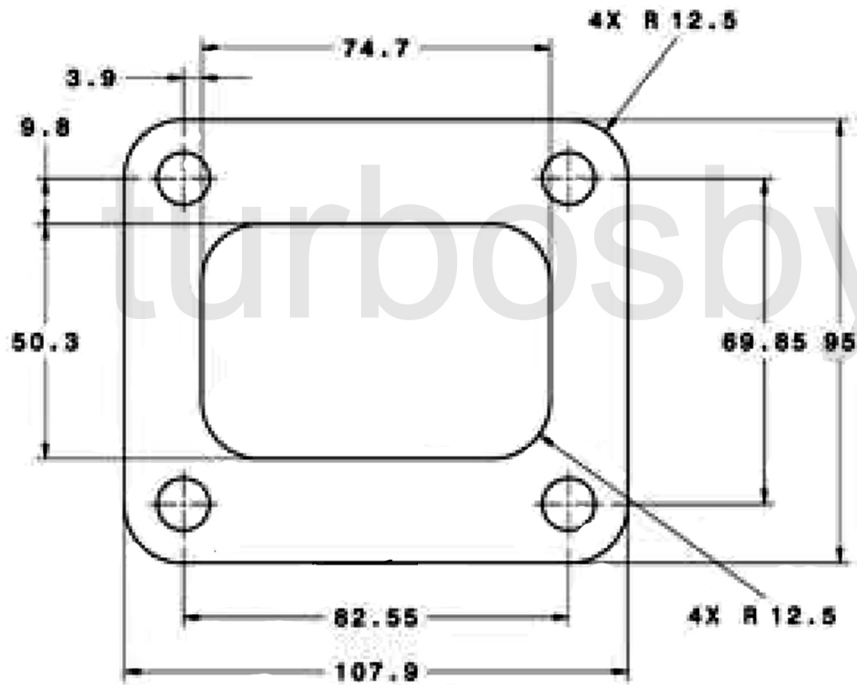
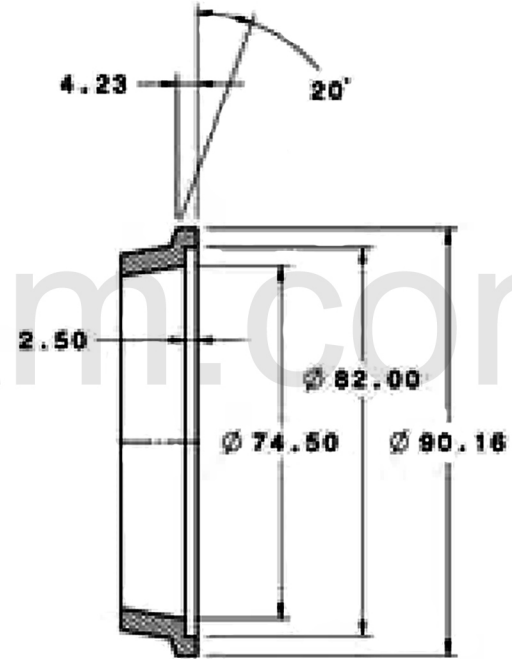



REV	DATE	RELEASED REVISION	DWN
A	-	RELEASED	-
-	-	-	-
-	-	-	-

### Turbine Inlet





### Turbine Outlet





PROPRIETARY AND CONFIDENTIAL

**TITLE** GARRETT GT35/1.06  
T4 - 3.55" / V band - Trim 84

<b>SIZE</b>	<b>PART NO.</b>	<b>REV</b>
A	740902-0016	A

<b>MATERIAL</b>	<b>DATE</b>	<b>CHECKED:</b>	<b>SHEET: 1 OF 1</b>
M3 - Ni-Resist	02/07/2014	ACS	