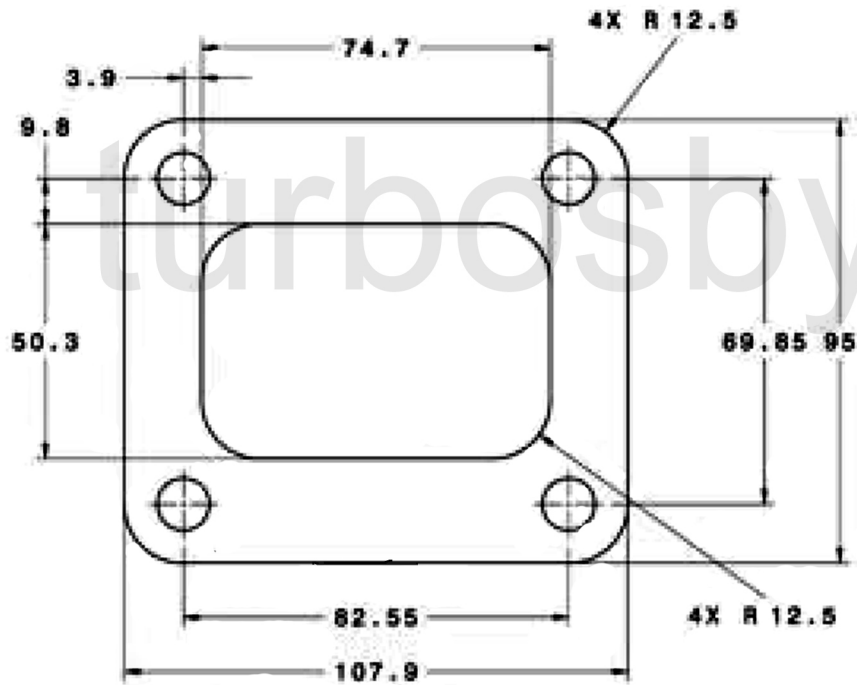
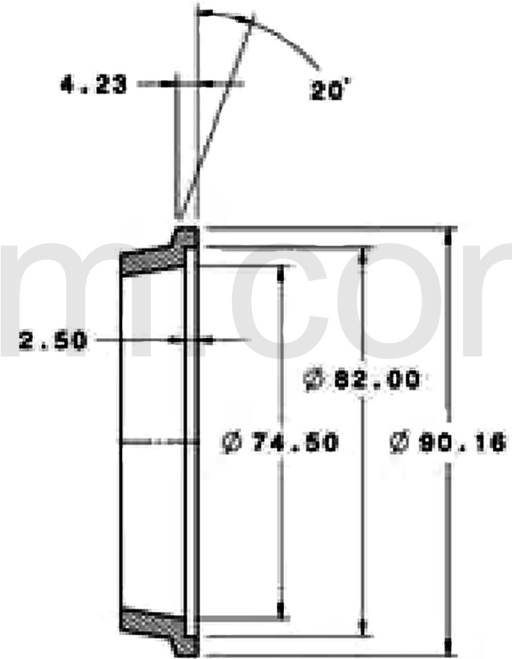



REV	DATE	RELEASED REVISION	DWN
A	-	RELEASED	-
-	-	-	-
-	-	-	-

Turbine Inlet





Turbine Outlet





PROPRIETARY AND CONFIDENTIAL

TITLE **GARRETT GT35/0.82**
T4 - 3.55" / V band - Trim 84

SIZE	PART NO.	REV
A	740902-0017	A

MATERIAL	DRAWN:	DATE:	CHECKED:
M3 - Ni-Resist	ACS	02/07/2014	SHEET: 1 OF 1