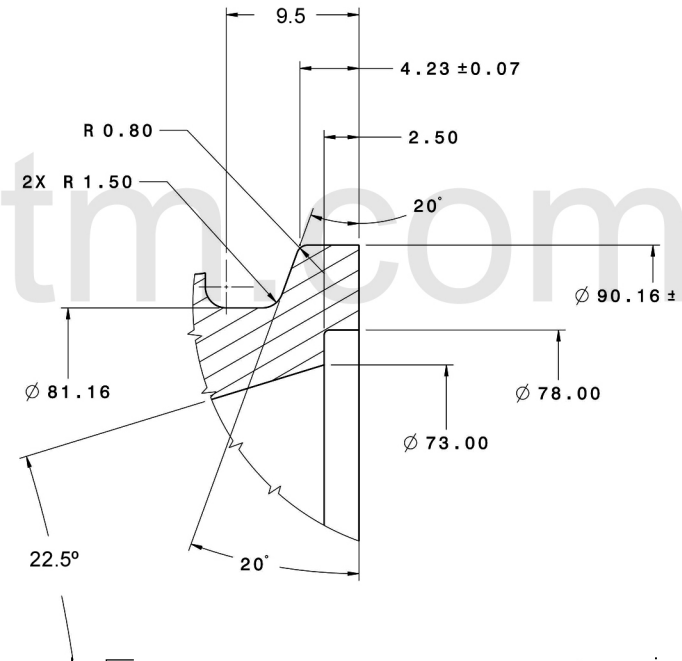
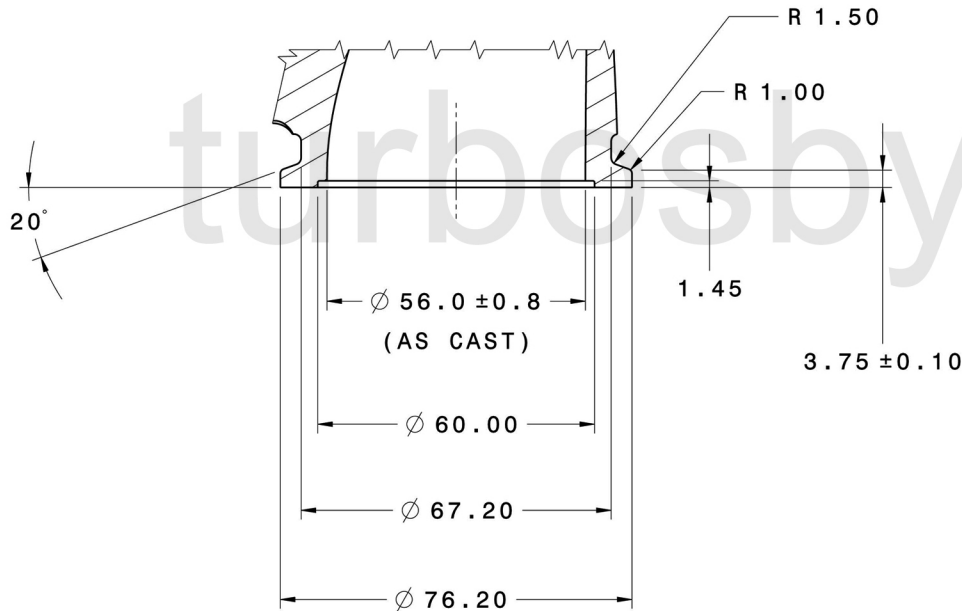



REV	DATE	RELEASED REVISION	DWN
A	-	RELEASED	-
-	-	-	-
-	-	-	-



### Turbine Inlet

### Turbine Outlet





PROPRIETARY AND CONFIDENTIAL

**TITLE** GARRETT GT30/1.01  
V band - 3.55" / V band - Trim 84

<b>SIZE</b>	<b>PART NO.</b>	<b>REV</b>
A	740902-0034	A

<b>MATERIAL</b>	<b>DRAWN:</b>	<b>DATE:</b>	<b>CHECKED:</b>
M4 - Ni-Resist	ACS	30/06/2014	1

SHEET: 1 OF 1