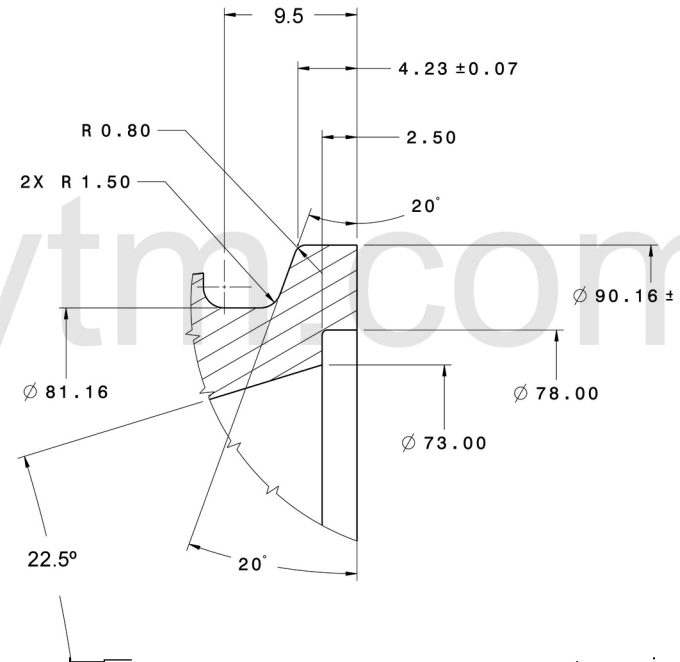
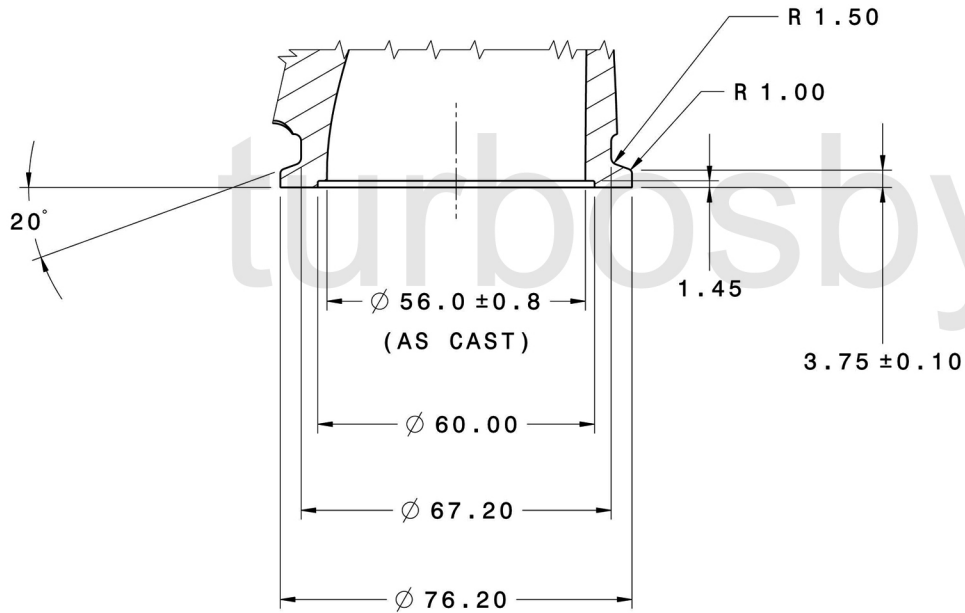





		RELEASED	
REV	DATE	REVISION	DWN
A	-	RELEASED	-
-	-	-	-
-	-	-	-

### Turbine Inlet

### Turbine Outlet



		
	TITLE <b>GARRETT GT30/0.83</b> V band - 3.55" / V band - Trim 84	
SIZE <b>A</b>	PART NO. <b>740902-0035</b>	REV <b>A</b>
MATERIAL <b>M4 - Ni-Resist</b>	DRAWN: <b>ACS</b>	DATE: <b>30/06/2014</b>
		CHECKED:
		SHEET: 1 OF 1

PROPRIETARY AND CONFIDENTIAL