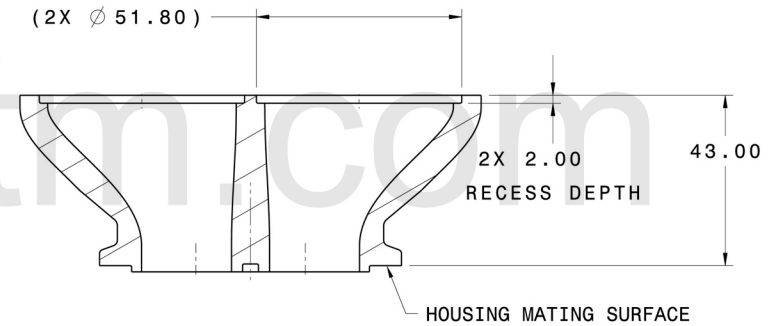
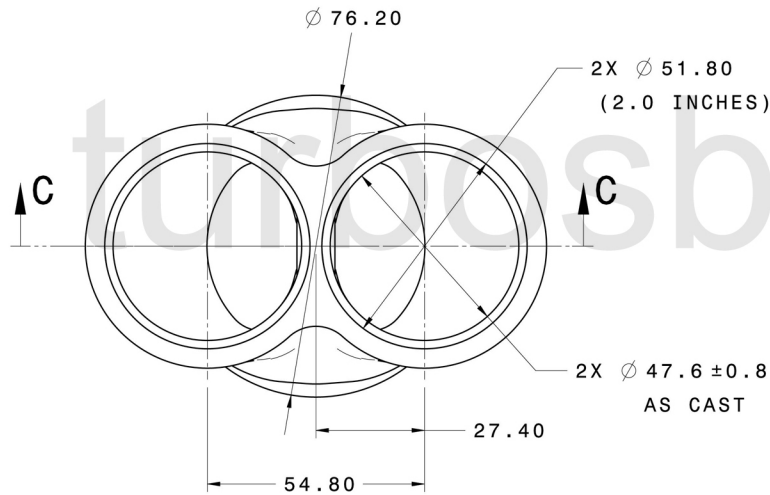


REV	DATE	RELEASED REVISION	DWN
A	-	RELEASED	-
-	-	-	-
-	-	-	-

GARRETT TURBINE HOUSING INLET ADAPTER
 FOR DIVIDED V-BAND TURBINE HOUSINGS
 ADAPTER PART NUMBER 813444-0001
 APPLIES TO HOUSING KITS 740902-0031 THRU -0036

ALL DIMENSIONS ARE ± 0.25 MM UNLESS NOTED
 VIEW INTO MANIFOLD SIDE OF ADAPTER
 INSERT 2.0 INCH MANIFOLD TUBING AND WELD AROUND O.D.
 MATERIAL = HK30 STAINLESS STEEL



SECTION VIEW C-C
 ADAPTER 813444-0001

Note: Illustration for reference only, may not resemble actual part.

PROPRIETARY AND CONFIDENTIAL



TITLE GARRETT INLET ADAPTER V-clamp / twin scroll			
SIZE A	PART NO. 813444-0001	REV A	
MATERIAL M8 - HX30 Stainless Steel	DRAWN: ACS	DATE: 12/07/2014	CHECKED: 1
			SHEET: 1 OF 1