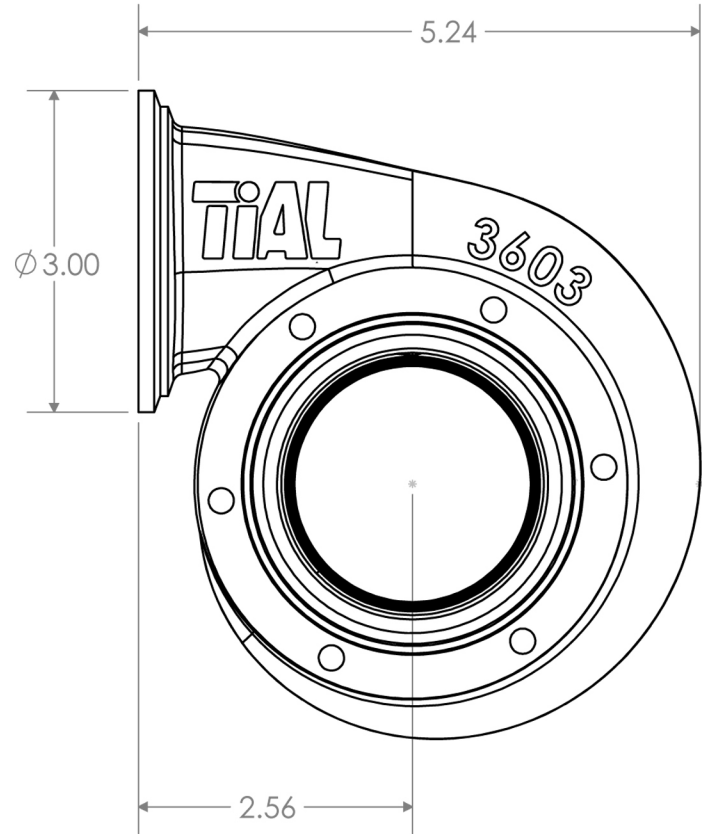
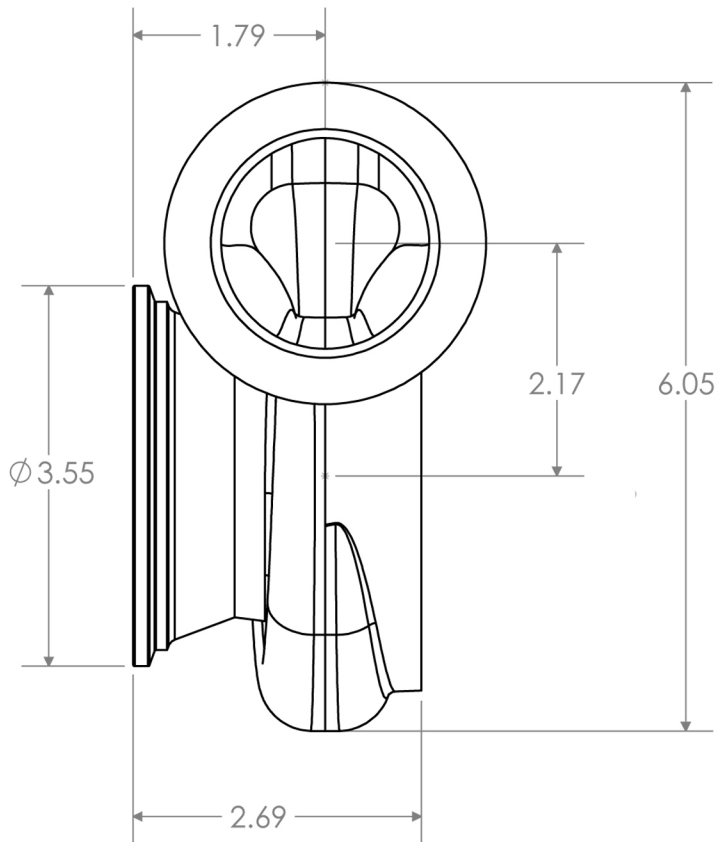


REV	DATE	RELEASED REVISION	DWN
A	-	RELEASED	-
-	-	-	-
-	-	-	-



PROPRIETARY AND CONFIDENTIAL

Dimension in inches



TITLE <b>TiAL GT30/0.63 V Band / V Band - Trim 84</b>		
SIZE <b>A</b>	PART NO. <b>740902-0663</b>	REV <b>A</b>
DRAWN: ACS	DATE: 05/08/2014	CHECKED:
MATERIAL <b>Stainless steel</b>		SHEET: 1 OF 1