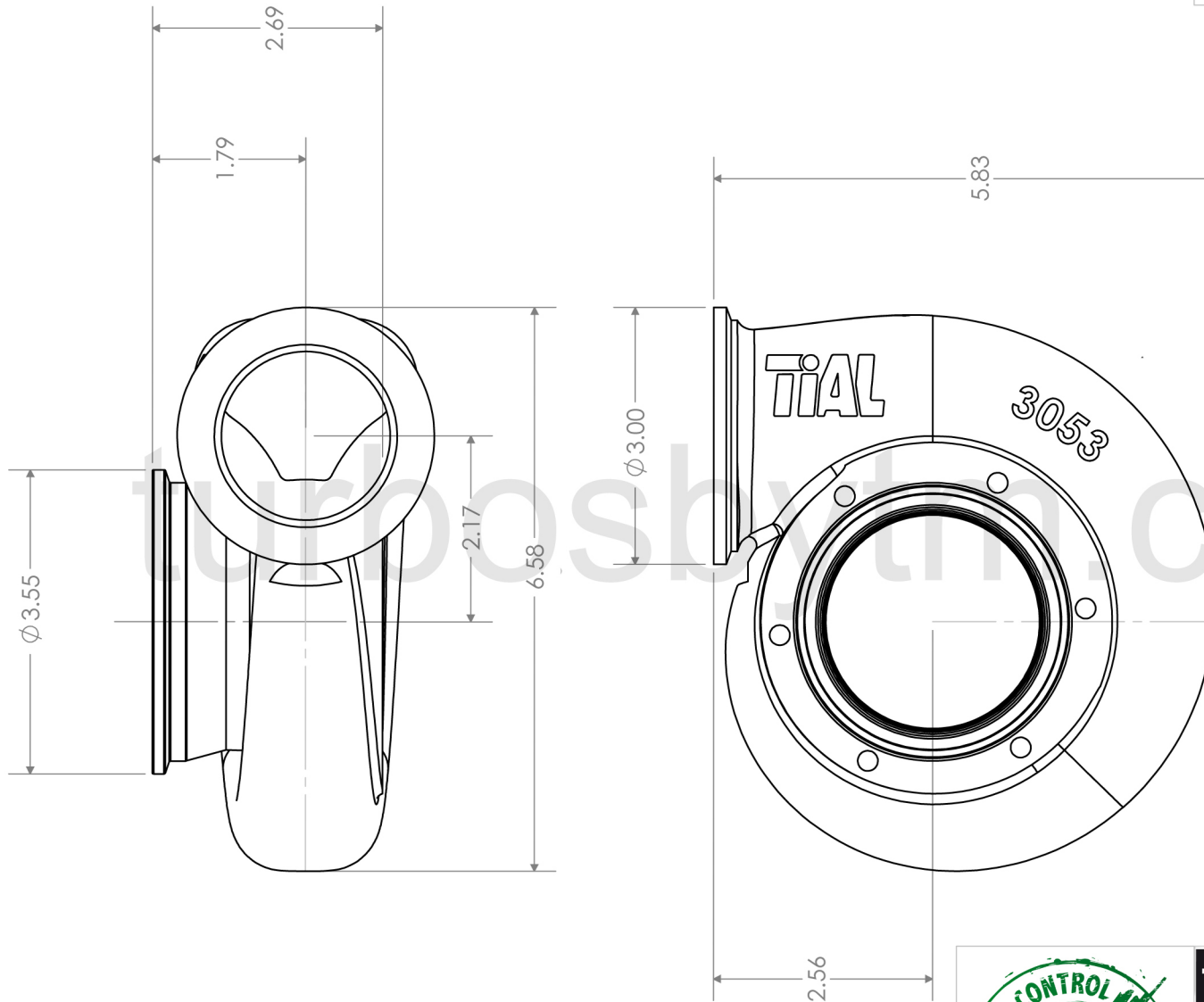


| REV | DATE | RELEASED REVISION | DWN |
|-----|------|-------------------|-----|
| A | - | RELEASED | - |
| - | - | - | - |
| - | - | - | - |



PROPRIETARY AND CONFIDENTIAL

Dimension in inches



| | | | |
|--------|-------------|---|---------------|
| TITLE | | TiAL GT35/1.03 V Band / V Band - Trim 84 | |
| SIZE | PART NO. | REV | |
| A | 740902-0703 | A | |
| DRAWN: | DATE: | CHECKED: | SHEET: 1 OF 1 |
| ACS | 05/08/2014 | | |

MATERIAL Stainless steel