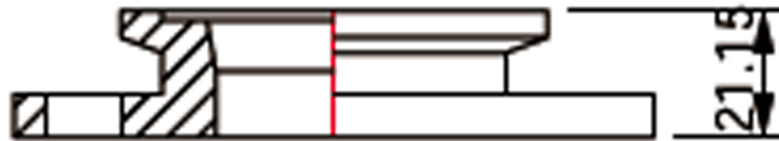
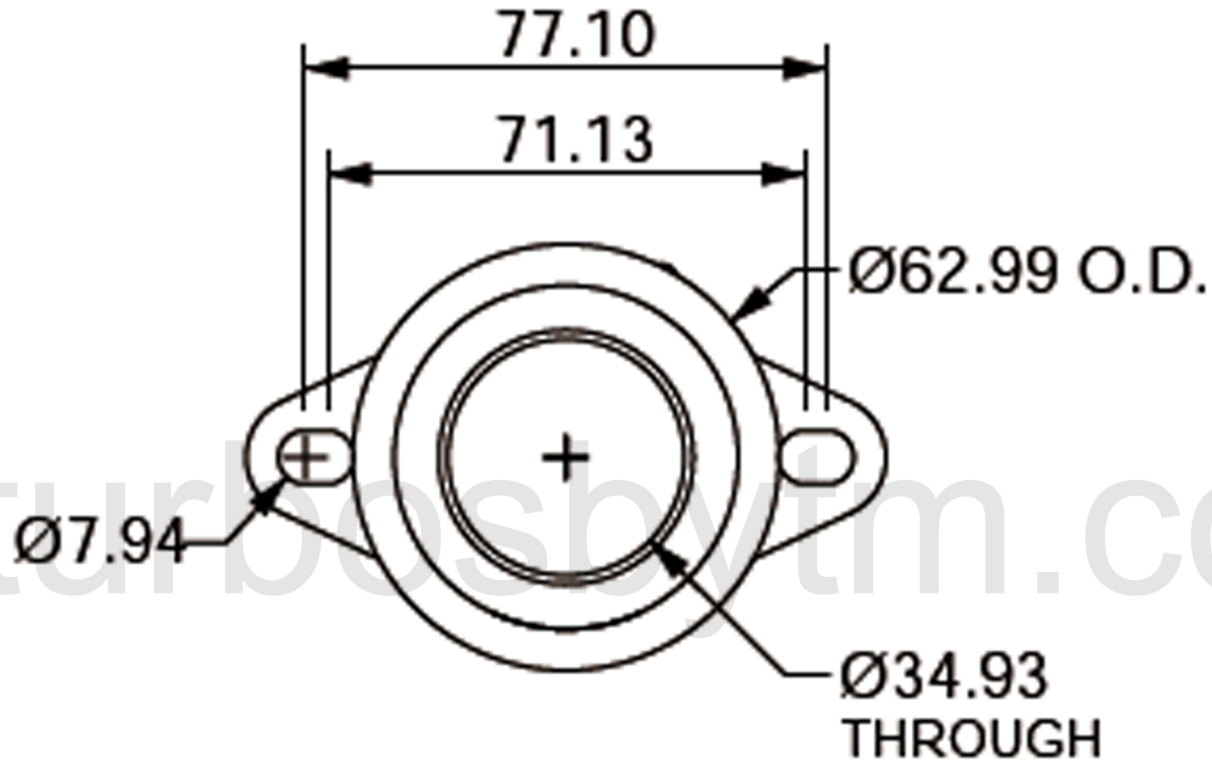


REV	DATE	RELEASED REVISION	DWN
A	-	RELEASED	-
-	-	-	-
-	-	-	-



Remarks  
All dimensions listed in millimeters



TITLE VIBRANT - FLANGE Adapter F38 to V44 WG			
SIZE	PART NO.		REV
A	219022		A
DRAWN:	DATE:	CHECKED:	SHEET: 1 OF 1
ACS	21/10/2014		

MATERIAL Stainless steel