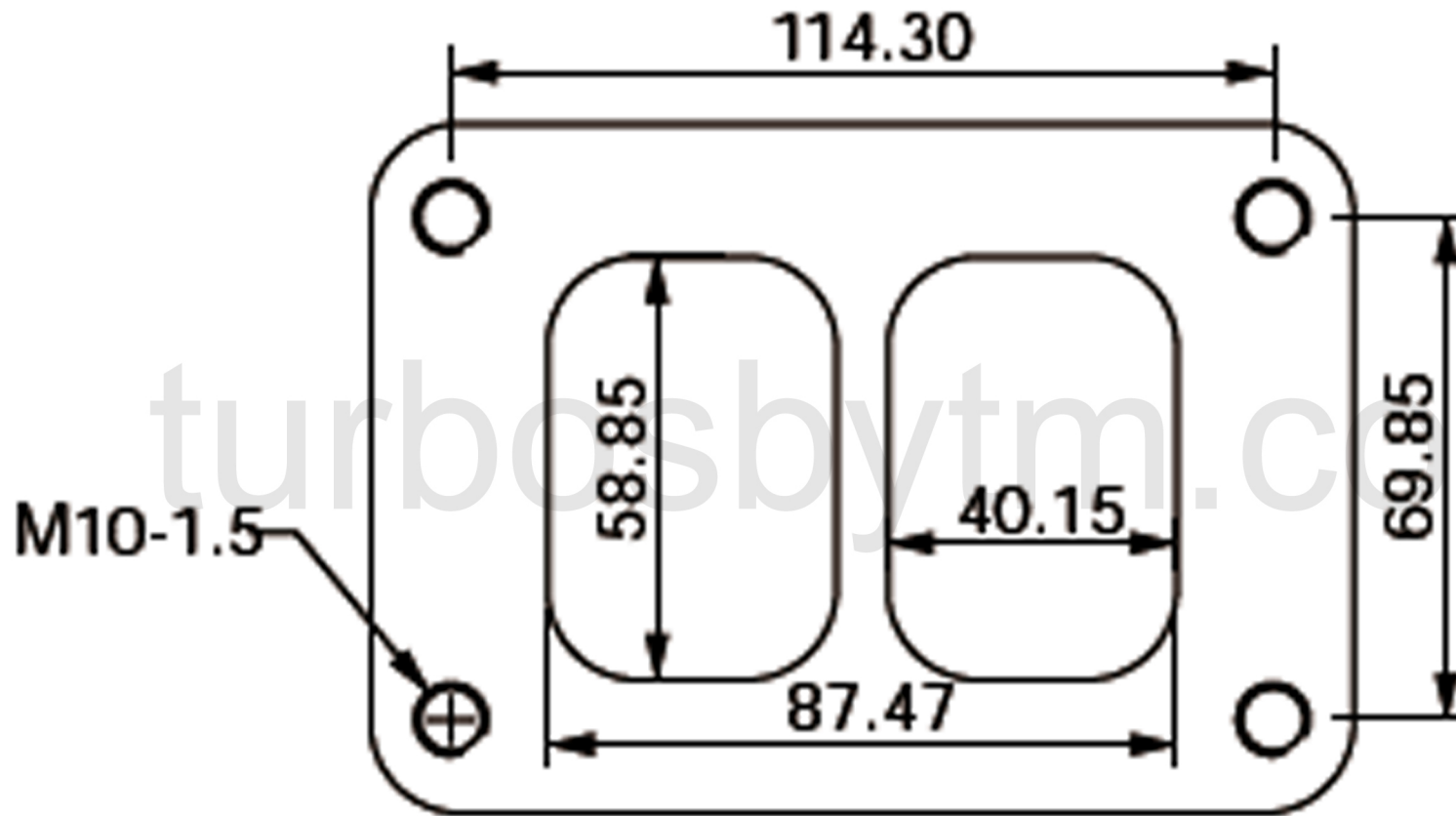





REV	DATE	RELEASED REVISION	DWN
A	-	RELEASED	-
-	-	-	-
-	-	-	-



		
	<b>TITLE</b> VIBRANT - FLANGE GT40, 47, 50 & 55 ( T18 inlet / twin scroll )	
<b>SIZE</b> A	<b>PART NO.</b> 219026	<b>REV</b> A
<b>MATERIAL</b> Stainless steel	<b>DRAWN:</b> ACS	<b>DATE:</b> 22/10/2014
<b>REMARKS</b> All dimensions listed in millimeters	<b>CHECKED:</b>	<b>SHEET:</b> 1 OF 1