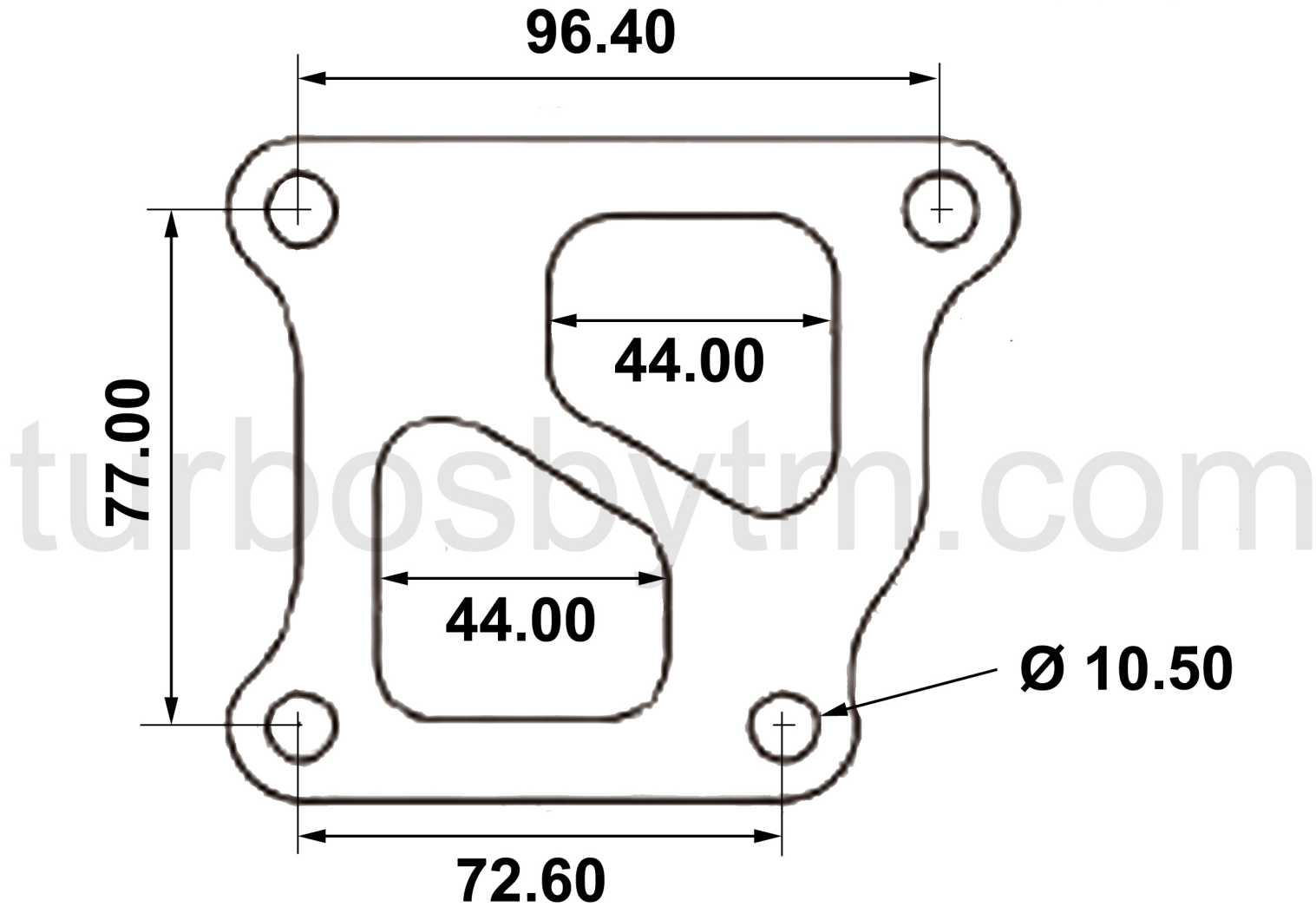





REV	DATE	RELEASED REVISION	DWN
A	-	RELEASED	-
-	-	-	-
-	-	-	-



		
	TITLE VIBRANT - FLANGE TDO5H - EVO (Inlet / twin scroll)	
SIZE A	PART NO. 219028	REV A
MATERIAL Stainless steel	DRAWN: ACS	DATE: 22/10/2014
Remarks All dimensions listed in millimeters		CHECKED: SHEET: 1 OF 1