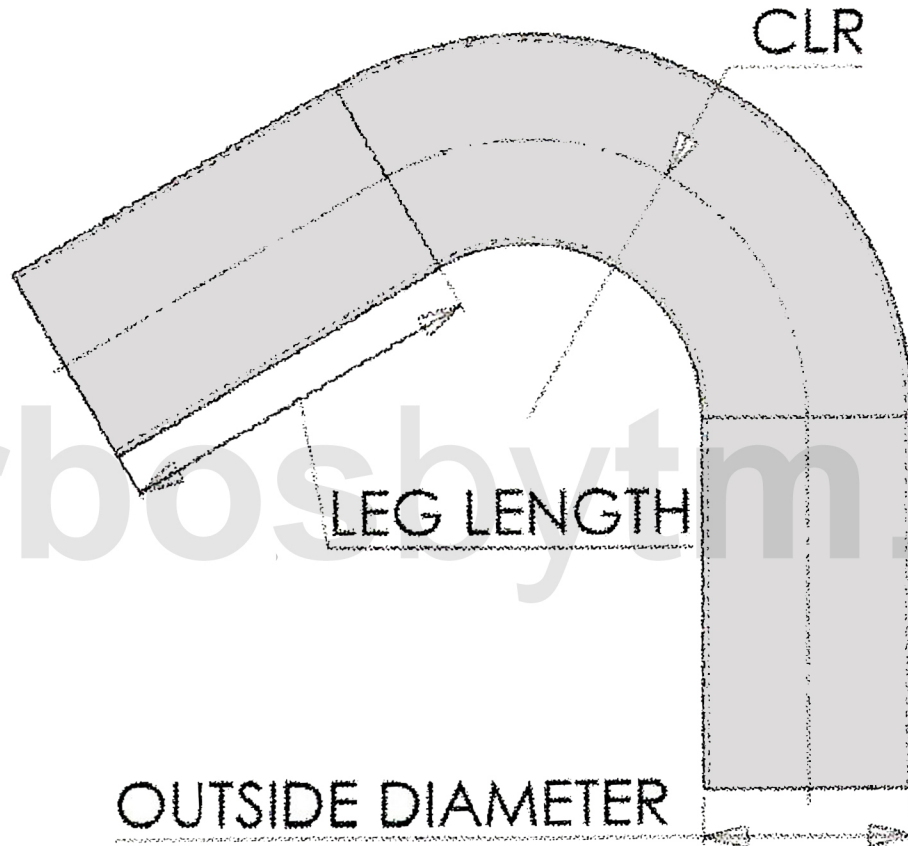


REV	DATE	RELEASED REVISION	DWN
A	-	RELEASED	-
-	-	-	-
-	-	-	-



- Outside diameter: 3" (76.20mm)
- Tube thickness : Gauge 16 (0.625" / 1.59mm)
- Centerline radius (CLR): 5" (127.00mm)
- Leg A Length: 4" (101.60mm)
- Leg B Length: 12" (304.80mm)

Remarks
All dimensions listed in inches



TITLE		120° Tubing O.D. 3.00"	
SIZE	PART NO.	REV	
A	613012-0000	A	
DRAWN:	DATE:	CHECKED:	SHEET: 1 OF 1
ACS	03/04/2016		

MATERIAL
Stainless steel