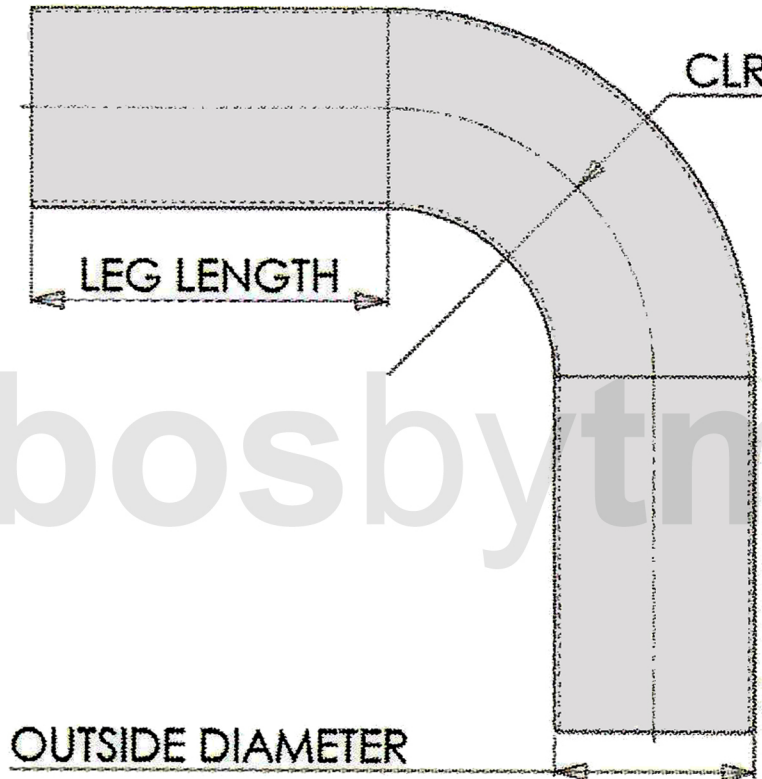





REV	DATE	RELEASED REVISION	DWN
A	-	RELEASED	-
-	-	-	-
-	-	-	-



- Outside diameter: 2 1/2" (63.50mm)
- Tube thickness : Gauge 16 (0.625" / 1.59mm)
- Centerline radius (CLR): 2 1/2" (63.50mm)
- Leg A Length: 4" (101.60mm)
- Leg B Length: 12" (304.80mm)

Remarks  
All dimensions listed in inches

		
	TITLE: 90° Tubing O.D. 2.50"	
SIZE: A	PART NO.: 613051-0000	REV: A
MATERIAL: Stainless steel	DRAWN: ACS	DATE: 02/05/2016
		CHECKED:
		SHEET: 1 OF 1