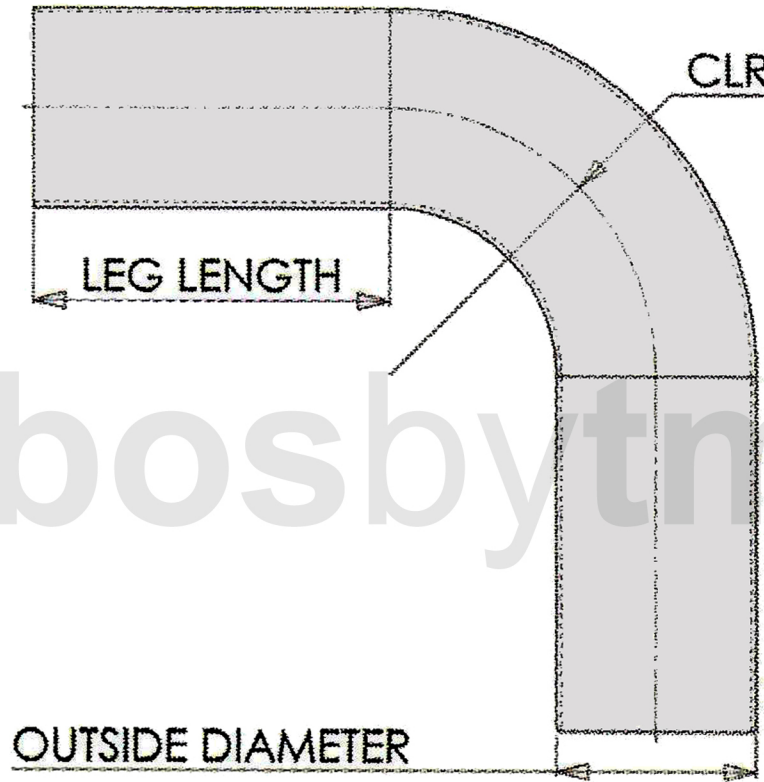


| REV | DATE | RELEASED REVISION | DWN |
|-----|------|-------------------|-----|
| A   | -    | RELEASED          | -   |
| -   | -    | -                 | -   |
| -   | -    | -                 | -   |





turbosbytm.com

- Outside diameter: 3" (76.20mm)
- Tube thickness : Gauge 16 (0.625" / 1.59mm)
- Centerline radius (CLR): 3" (76.20mm)
- Leg A Length: 4" (101.60mm)
- Leg B Length: 12" (304.80mm)

Remarks  
All dimensions listed in inches



|   |             |                          |               |
|---|-------------|--------------------------|---------------|
|   |             |                          |               |
| TITLE   |             | 90° Tubing<br>O.D. 3.00" |               |
| SIZE  | PART NO.    | REV                      |               |
| A   | 613053-0000 | A                        |               |
| DRAWN:  | DATE:       | CHECKED:                 | SHEET: 1 OF 1 |
| ACS   | 02/05/2016  |                          |               |

MATERIAL  
Stainless steel