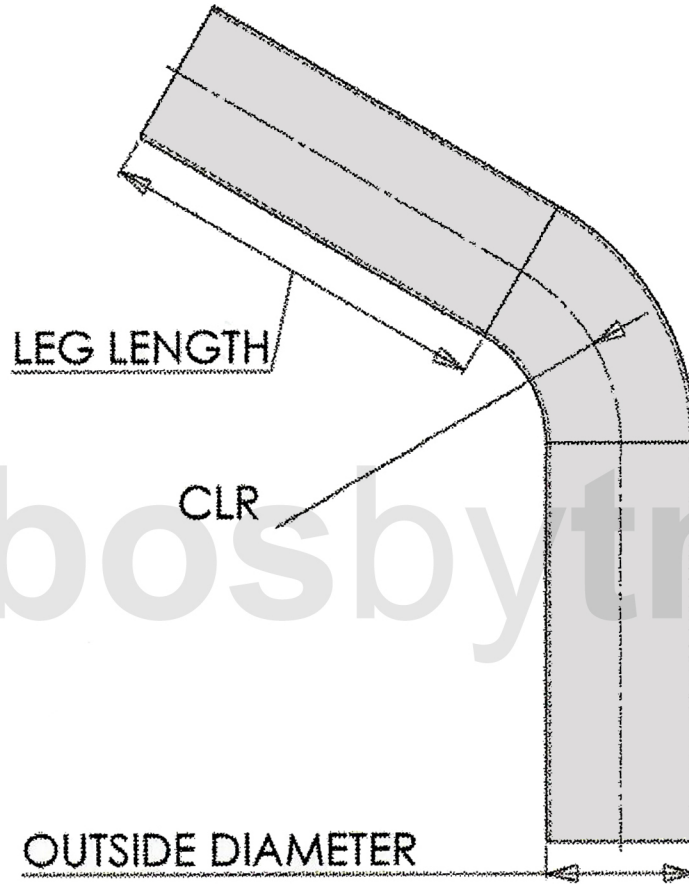


REV	DATE	RELEASED REVISION	DWN
A	-	RELEASED	-
-	-	-	-
-	-	-	-



- Outside diameter: 2" (50.80mm)
- Tube thickness : Gauge 16 (0.625" / 1.59mm)
- Centerline radius (CLR): 2" (50.80mm)
- Leg Length: 6" (152.40mm)

TITLE		45° Tubing O.D. 2.00"	
SIZE	PART NO.	REV	
A	613096-0000	A	
MATERIAL	DRAWN:	DATE:	CHECKED:
Stainless steel	ACS	03/04/2016	SHEET: 1 OF 1

Remarks  
All dimensions listed in inches