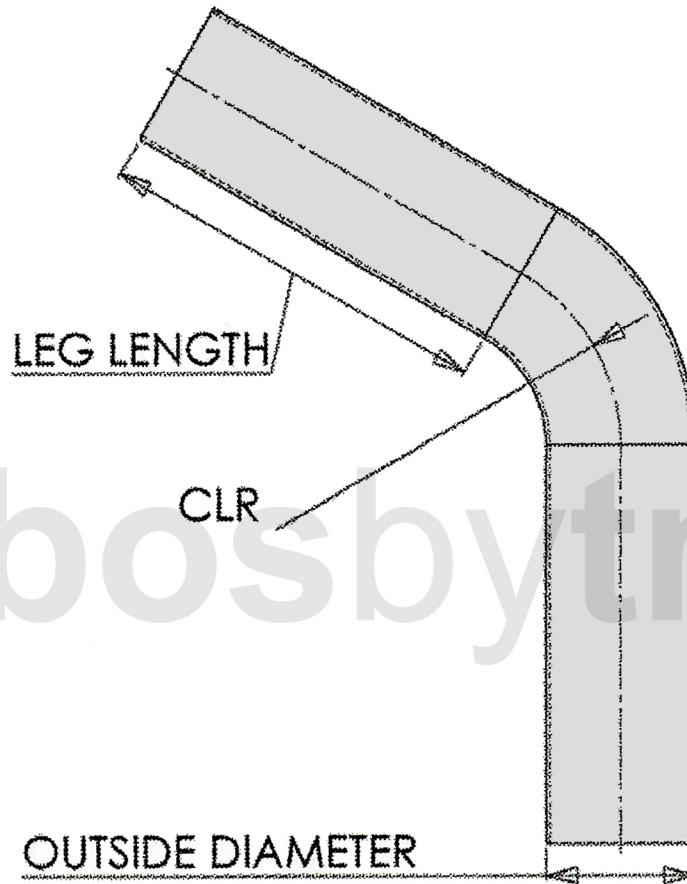





REV	DATE	RELEASED REVISION	DWN
A	-	RELEASED	-
-	-	-	-
-	-	-	-



- Outside diameter: 2 1/2" (63.50mm)
- Tube thickness : Gauge 16 (0.625" / 1.59mm)
- Centerline radius (CLR): 3 1/2" (88.90mm)
- Leg Length: 6" (152.40mm)



QUALITY CONTROL APPROVED

TITLE		45° Tubing O.D. 2.50"	
SIZE	PART NO.	REV	
A	613100-0000	A	
MATERIAL	DRAWN:	DATE:	CHECKED:
Stainless steel	ACS	03/04/2016	SHEET: 1 OF 1

Remarks
All dimensions listed in inches