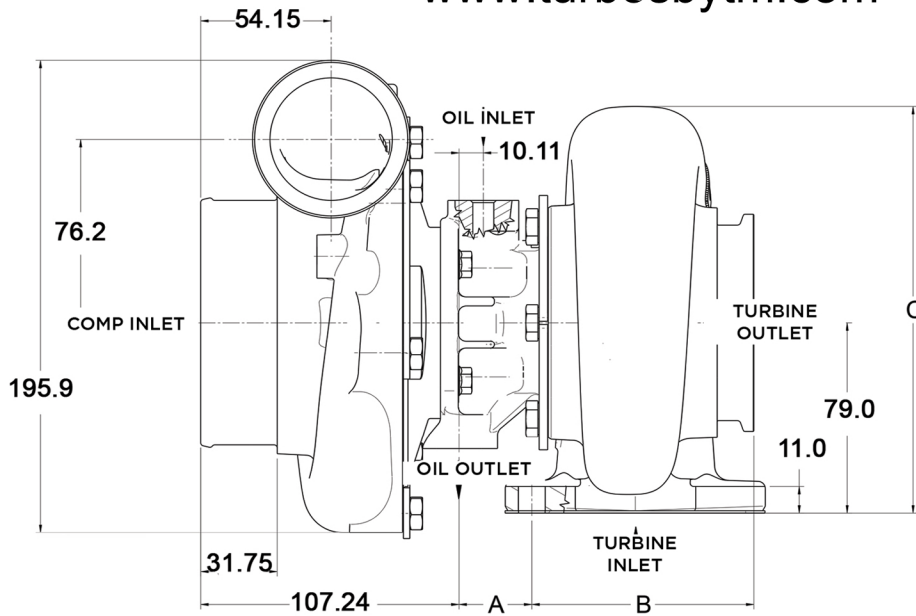
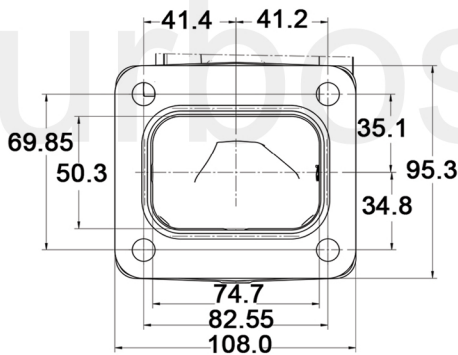
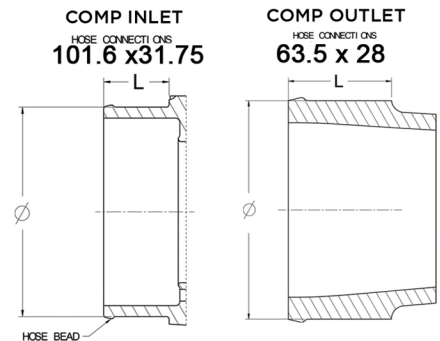


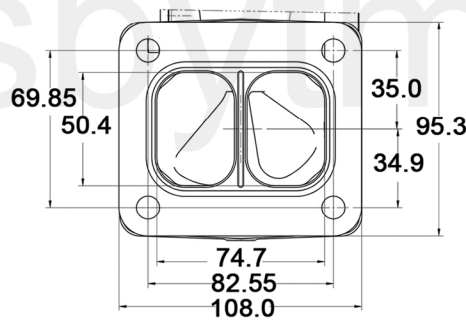
www.turbosbytm.com



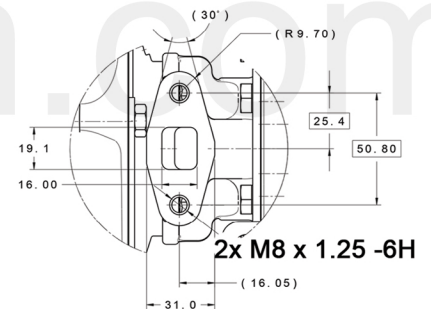
SIZE	TURBINE			
	-	T3 CP	T4 CP	T4 DI V
GBC-35/37	A/R	0.82	0.82	0.95
	A	30.29	27.84	27.84
	B	92.21	93.90	93.90
	C	168.8	179.1	181.2



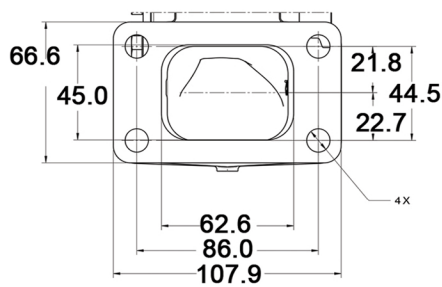
TURBINE INLET T4 OPEN



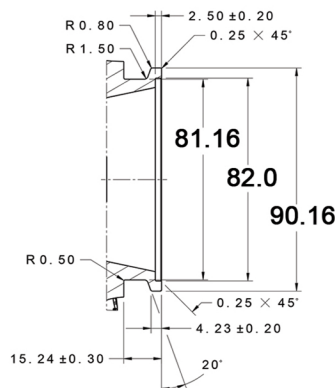
TURBINE INLET T4 DIVIDED



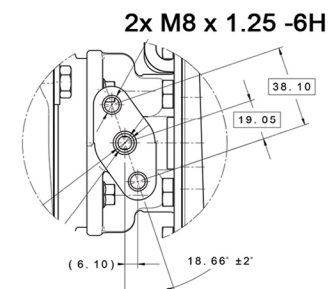
OIL OUTLET



TURBINE INLET T3 OPEN



TURBINE OUTLET



OIL INLET