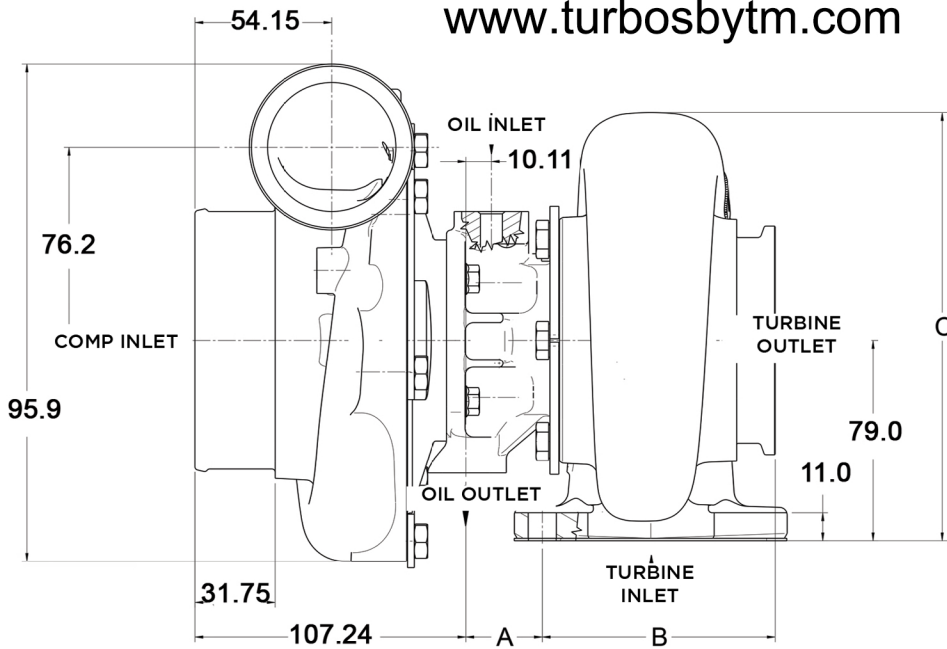
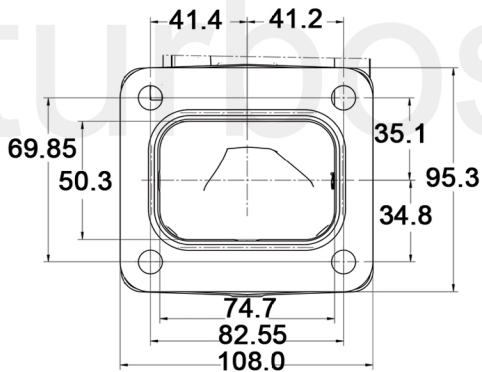
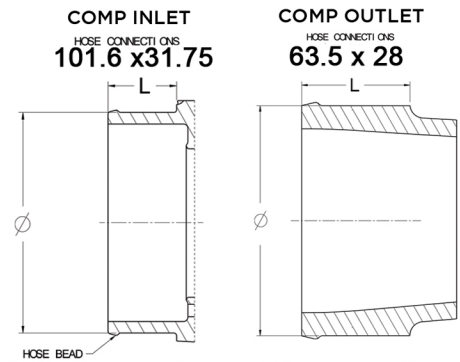


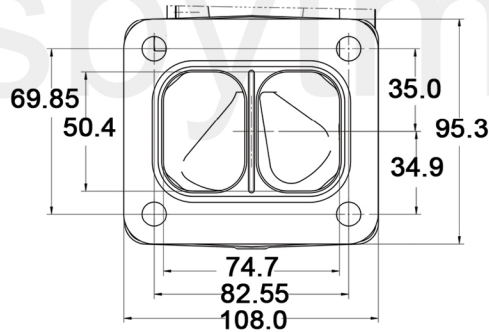
www.turbosbytm.com



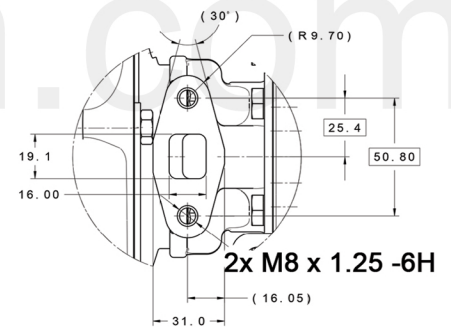
SIZE	TURBINE		
	T3 OP	T4 OP	T4 DIV
-	0.82	0.82	0.95
A/R	0.29	0.27	0.27
A	30.29	27.84	27.84
B	92.21	93.90	93.90
C	168.8	179.1	181.2



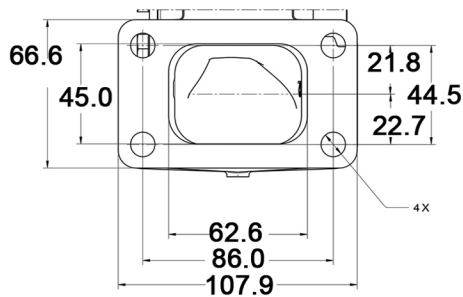
TURBINE INLET T4 OPEN



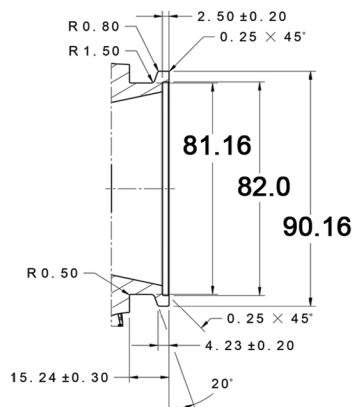
TURBINE INLET T4 DIVIDED



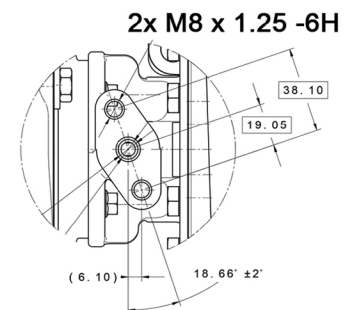
OIL OUTLET



TURBINE INLET T3 OPEN



TURBINE OUTLET



OIL INLET



All Measurements in MM