

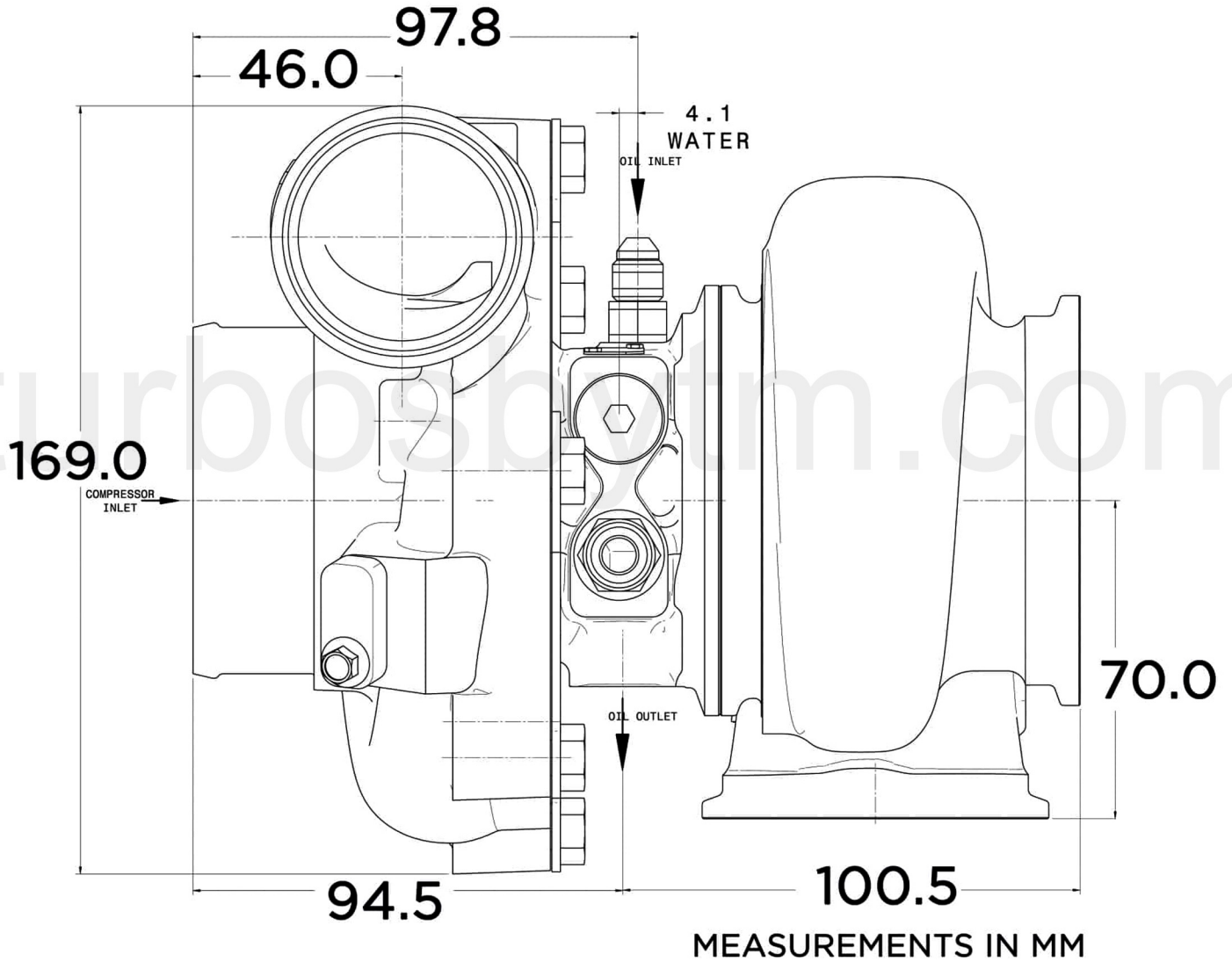
# Garrett

ADVANCING MOTION

# G30-660

880678-1, 880678-2, 80679-1, 880679-2

[www.turbosbytm.com](http://www.turbosbytm.com)



All Measurements in MM