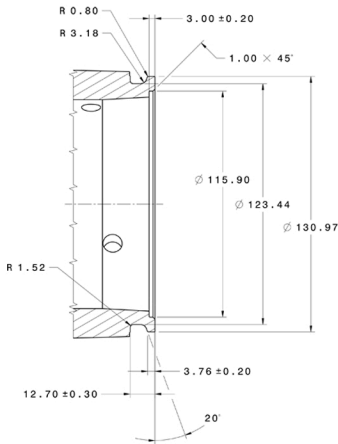
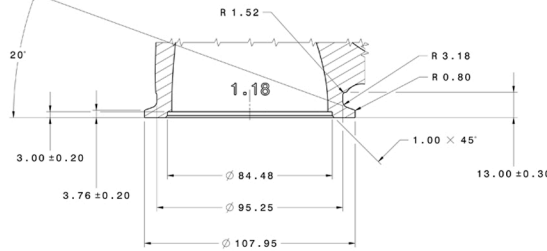


FLANGE DIAGRAM

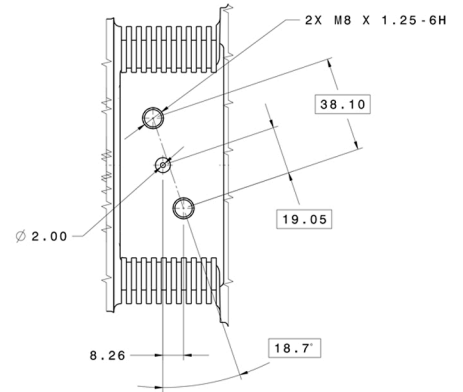
G57-1950 G57-2250 G57-2425 G57-2750 G57-3000
880547-0006S - 880547-0010S



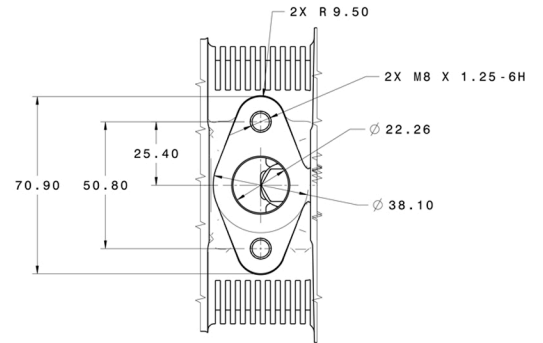
TURBINE OUTLET
FOR SFI V-BAND THS



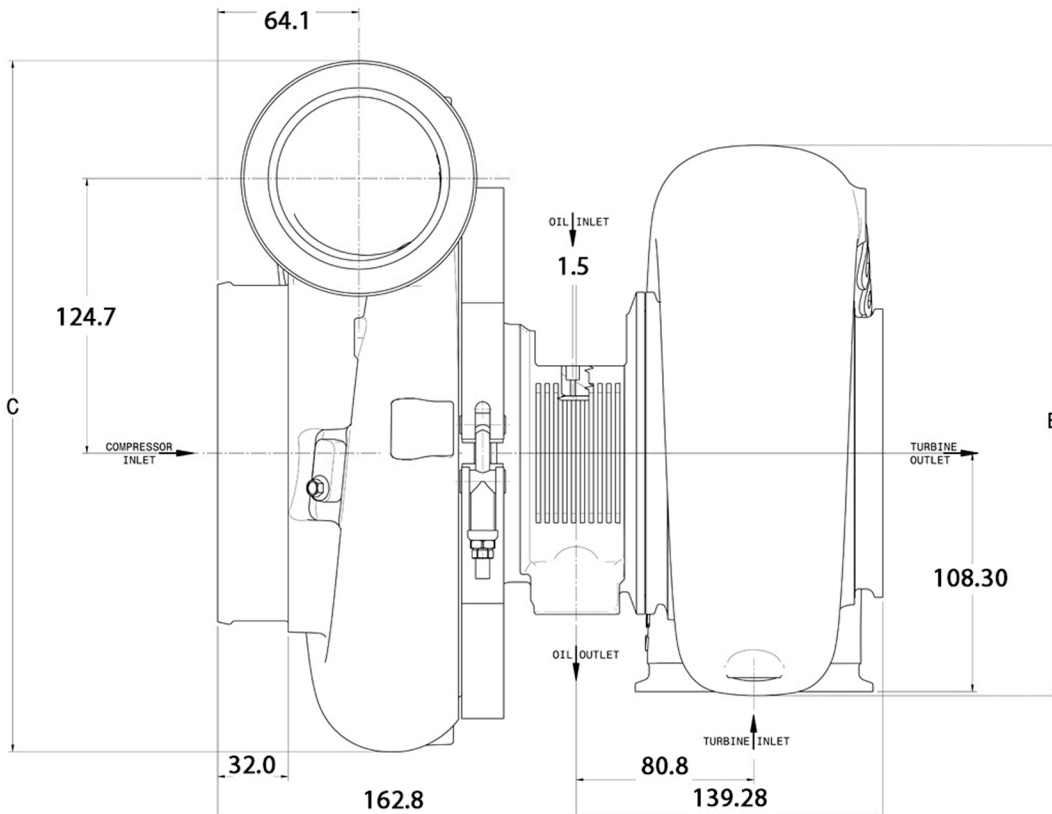
TURBINE INLET
FOR SFI V-BAND THS



OIL INLET



OIL OUTLET



MEASUREMENTS IN MM