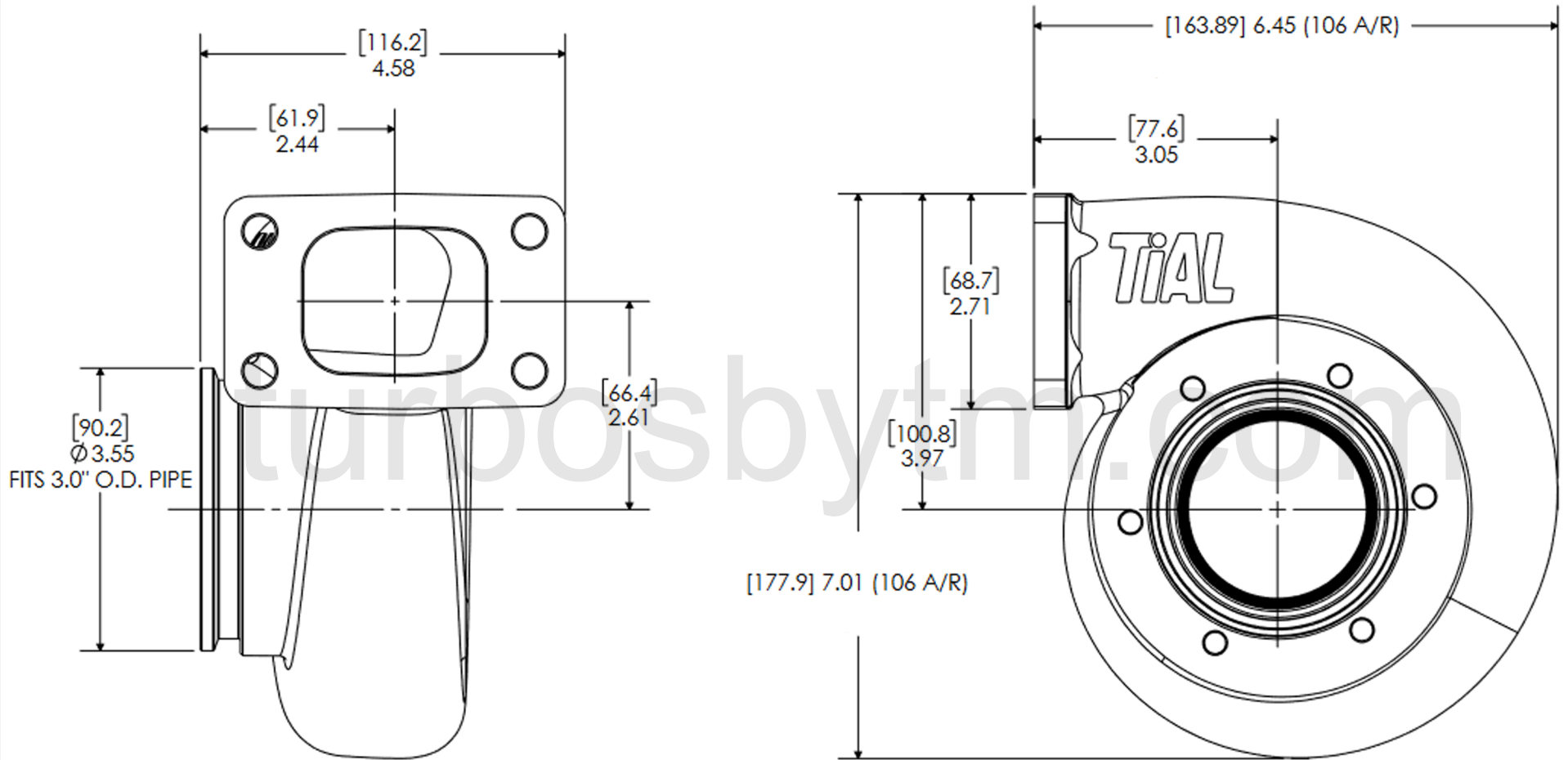


| REV | DATE | RELEASED REVISION | DWN |
|-----|------|-------------------|-----|
| A   | -    | RELEASED          | -   |
| -   | -    | -                 | -   |
| -   | -    | -                 | -   |



PROPRIETARY AND CONFIDENTIAL

Dimension in inches



TITLE  
**TiAL GT30/1.06**  
**T3 / V Band - Trim 84**

|                  |                                |                 |
|------------------|--------------------------------|-----------------|
| SIZE<br><b>A</b> | PART NO.<br><b>740902-0610</b> | REV<br><b>A</b> |
|------------------|--------------------------------|-----------------|

|               |                     |          |               |
|---------------|---------------------|----------|---------------|
| DRAWN:<br>ACS | DATE:<br>14/11/2023 | CHECKED: | SHEET: 1 OF 1 |
|---------------|---------------------|----------|---------------|

MATERIAL  
**Stainless steel**