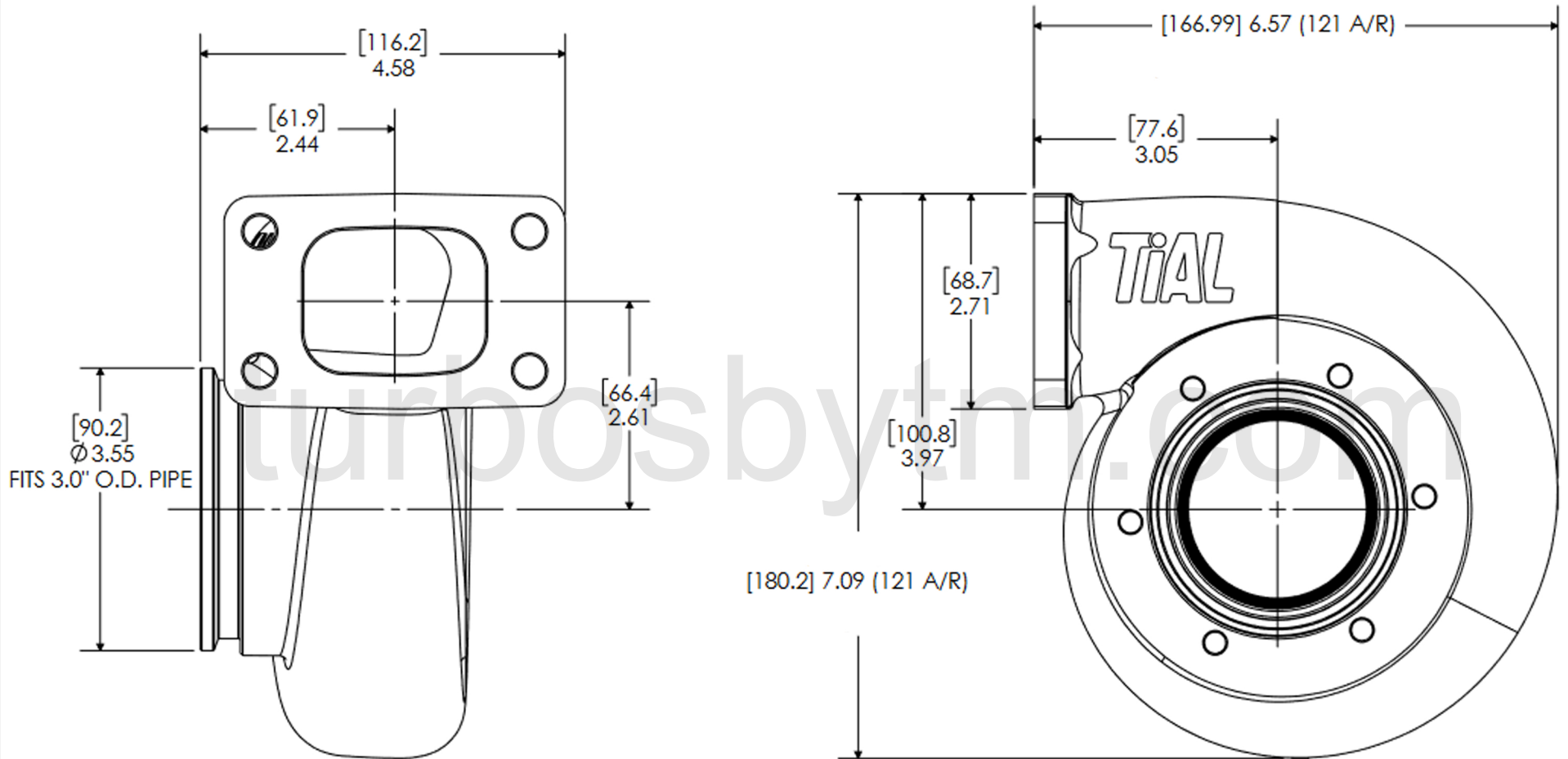


REV	DATE	RELEASED REVISION	DWN
A	-	RELEASED	-
-	-	-	-
-	-	-	-



PROPRIETARY AND CONFIDENTIAL

Dimension in inches



TITLE  
**TiAL GT30/1.21**  
**T3 / V Band - Trim 84**

SIZE <b>A</b>	PART NO. <b>740902-0625</b>	REV <b>A</b>
------------------	--------------------------------	-----------------

DRAWN: ACS	DATE: 14/11/2023	CHECKED:	SHEET: 1 OF 1
---------------	---------------------	----------	---------------

MATERIAL  
**Stainless steel**