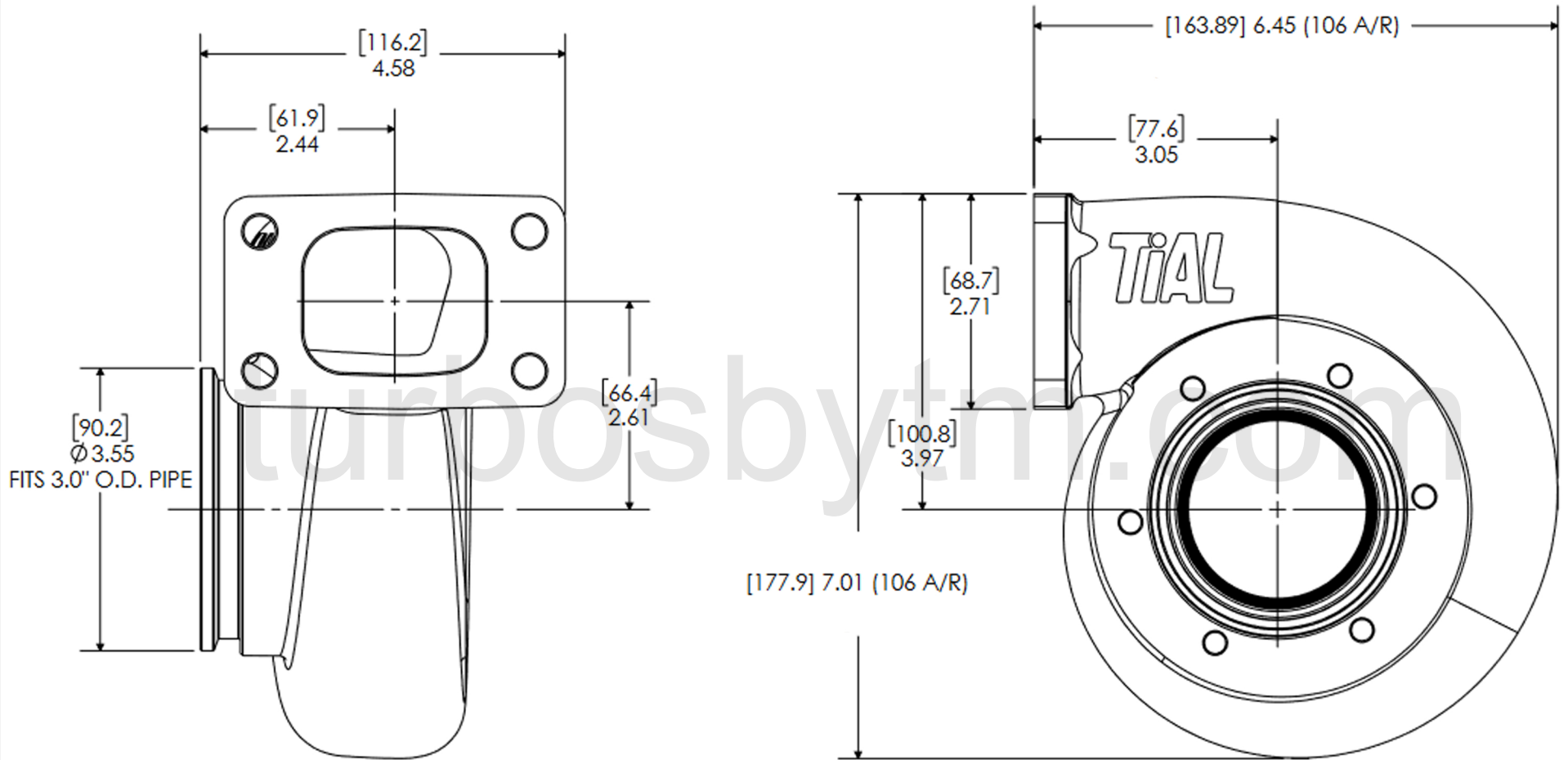


REV	DATE	RELEASED REVISION	DWN
A	-	RELEASED	-
-	-	-	-
-	-	-	-



PROPRIETARY AND CONFIDENTIAL

Dimension in inches



TITLE
TiAL GT35/1.06
T3 / V Band - Trim 84

SIZE A	PART NO. 740902-0710	REV A
------------------	--------------------------------	-----------------

DRAWN: ACS	DATE: 14/11/2023	CHECKED:	SHEET: 1 OF 1
---------------	---------------------	----------	---------------

MATERIAL
Stainless steel