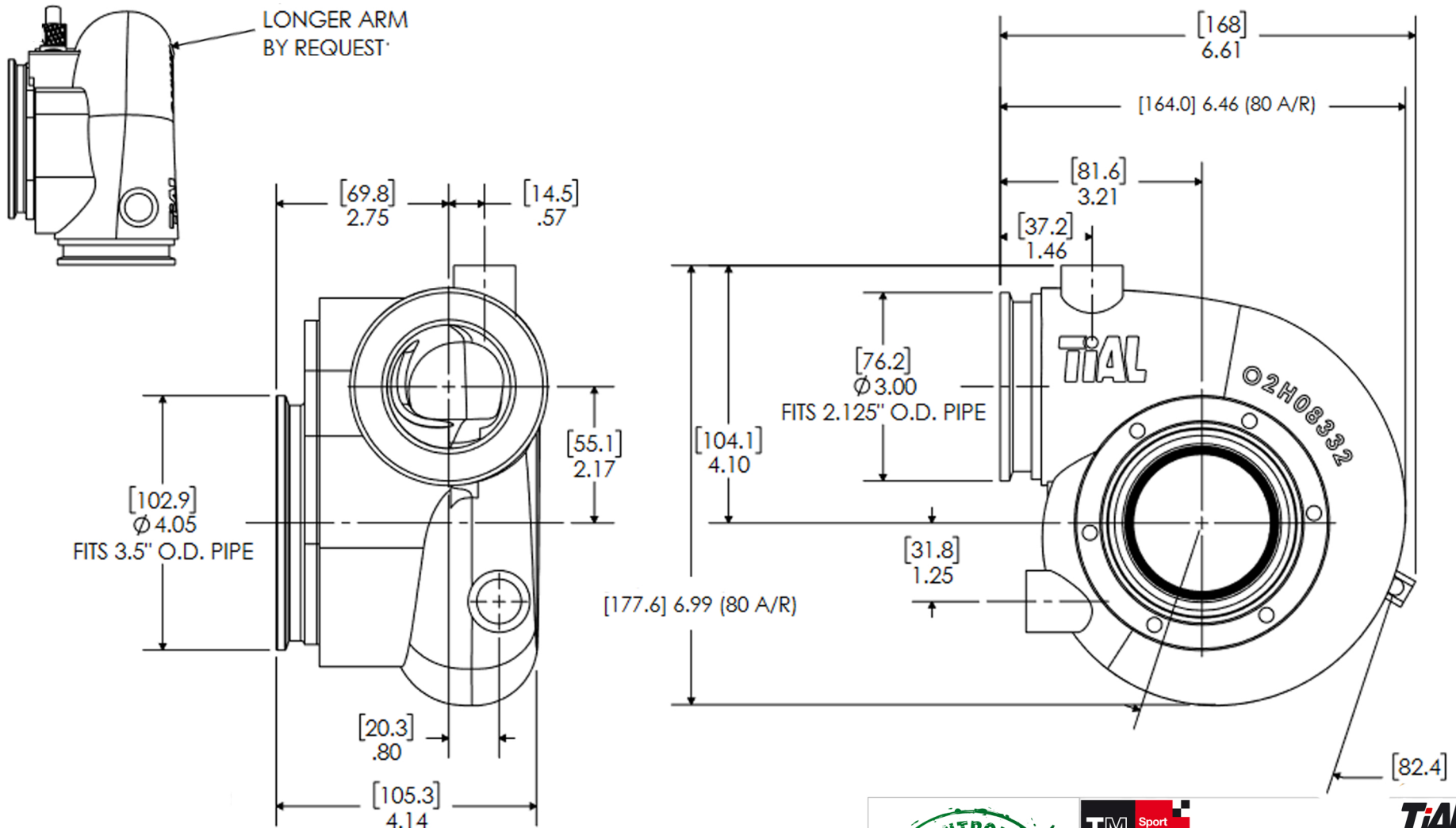


REV	DATE	RELEASED REVISION	DWN
A	-	RELEASED	-
-	-	-	-
-	-	-	-



TITLE **TiAL GT28/0.80 - H<sub>2</sub>O V Band / V Band - Trim 76**

SIZE **A** PART NO. **740905-0580** REV **A**

PROPRIETARY AND CONFIDENTIAL  
Dimension in inches

MATERIAL **Stainless steel** DRAWN: **ACS** DATE: **09/11/2023** CHECKED: SHEET: 1 OF 1