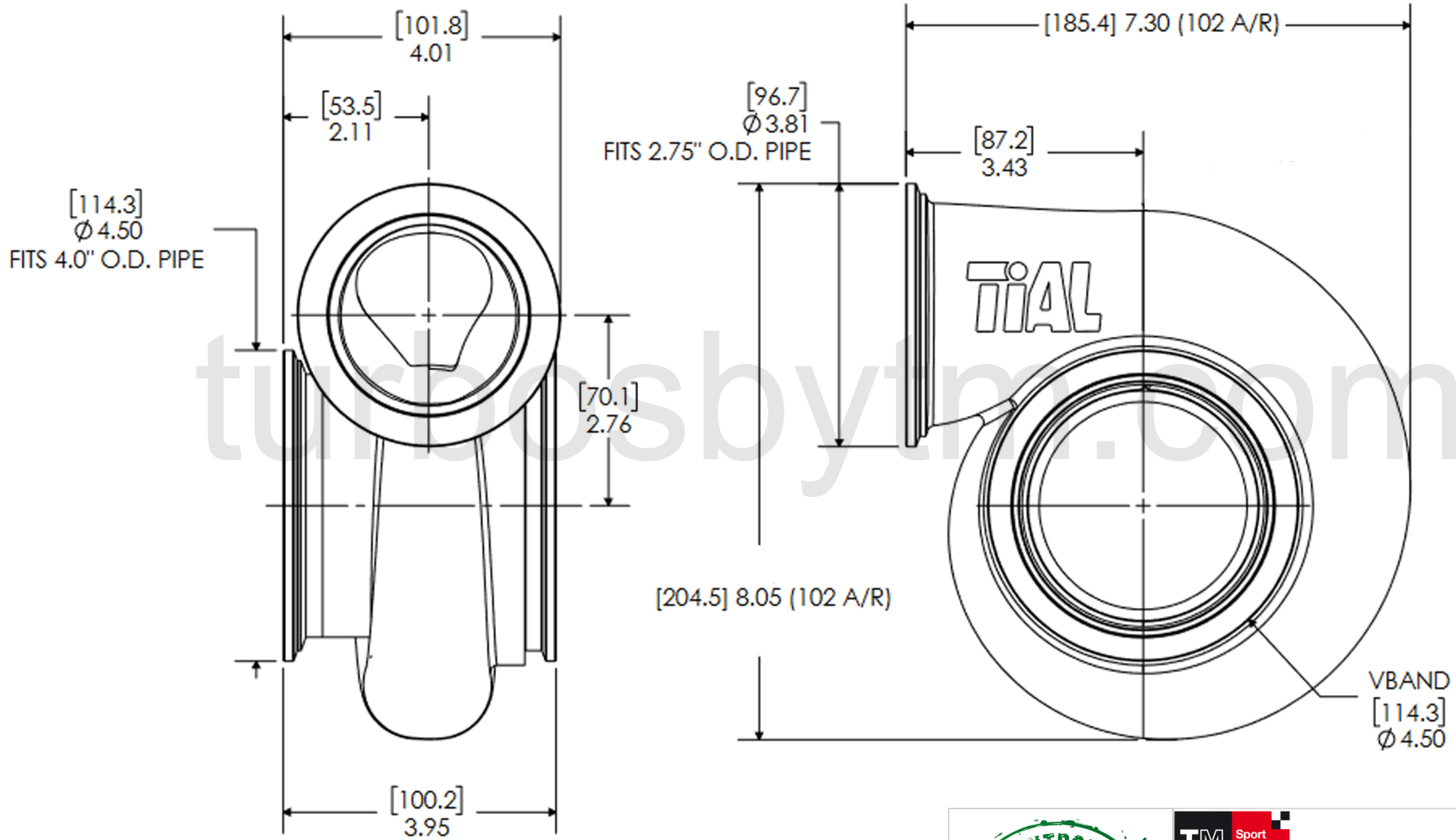





REV	DATE	RELEASED REVISION	DWN
A	-	RELEASED	-
-	-	-	-
-	-	-	-





PROPRIETARY AND CONFIDENTIAL

Dimension in inches

TITLE			TiAL G40/1.02 V Bands - Trim 84		
SIZE	PART NO.		REV		
A	757707-1402		A		
MATERIAL	DRAWN:	DATE:	CHECKED:	SHEET: 1 OF 1	
Stainless steel	ACS	15/11/2023			