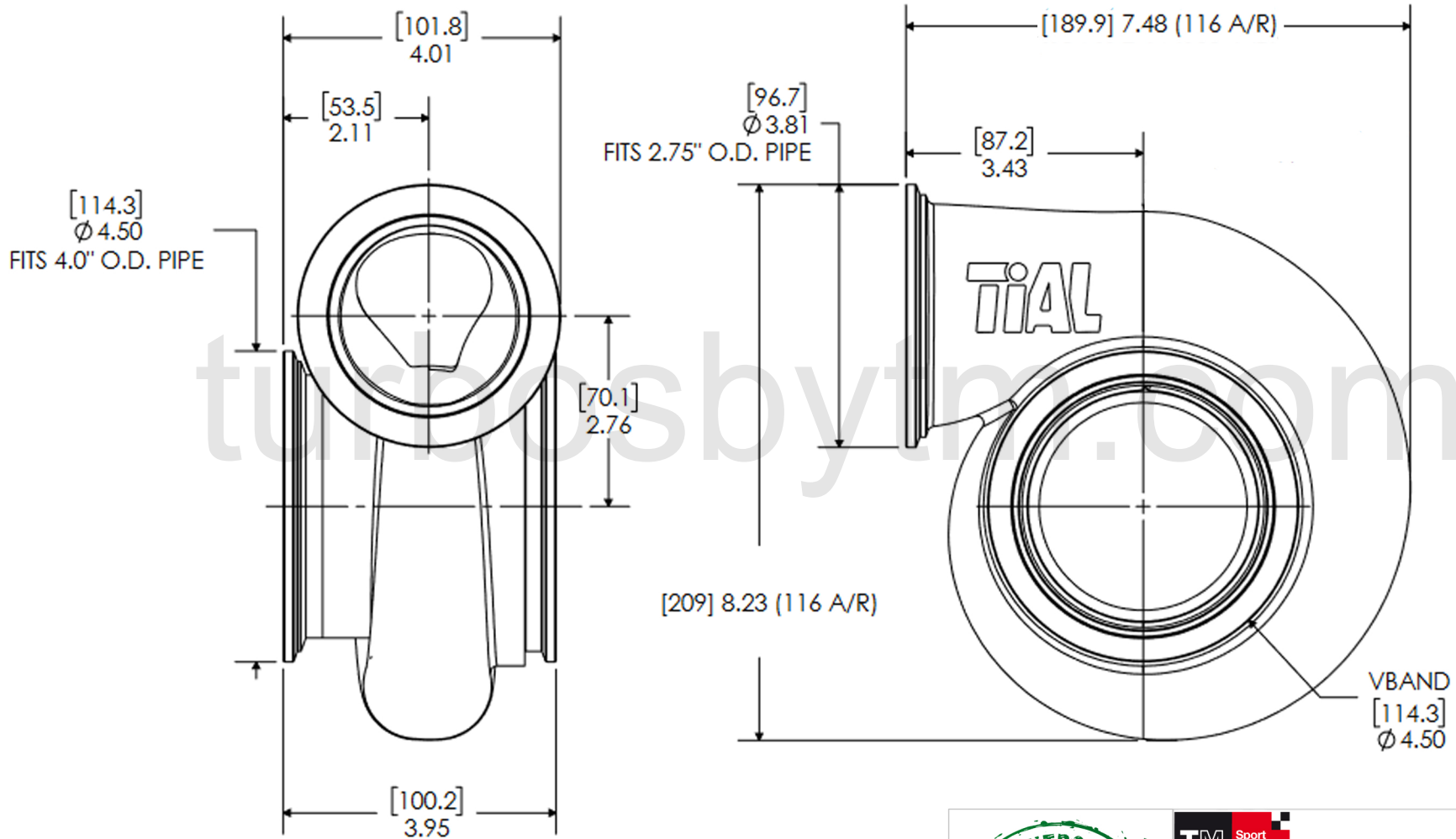


REV	DATE	RELEASED REVISION	DWN
A	-	RELEASED	-
-	-	-	-
-	-	-	-






TITLE		
TiAL G40/1.16 V Bands - Trim 84		
SIZE	PART NO.	REV
A	757707-1416	A

PROPRIETARY AND CONFIDENTIAL  
Dimension in inches

MATERIAL	Stainless steel	DRAWN:	ACS	DATE:	15/11/2023	CHECKED:		SHEET: 1 OF 1
----------	-----------------	--------	-----	-------	------------	----------	--	---------------