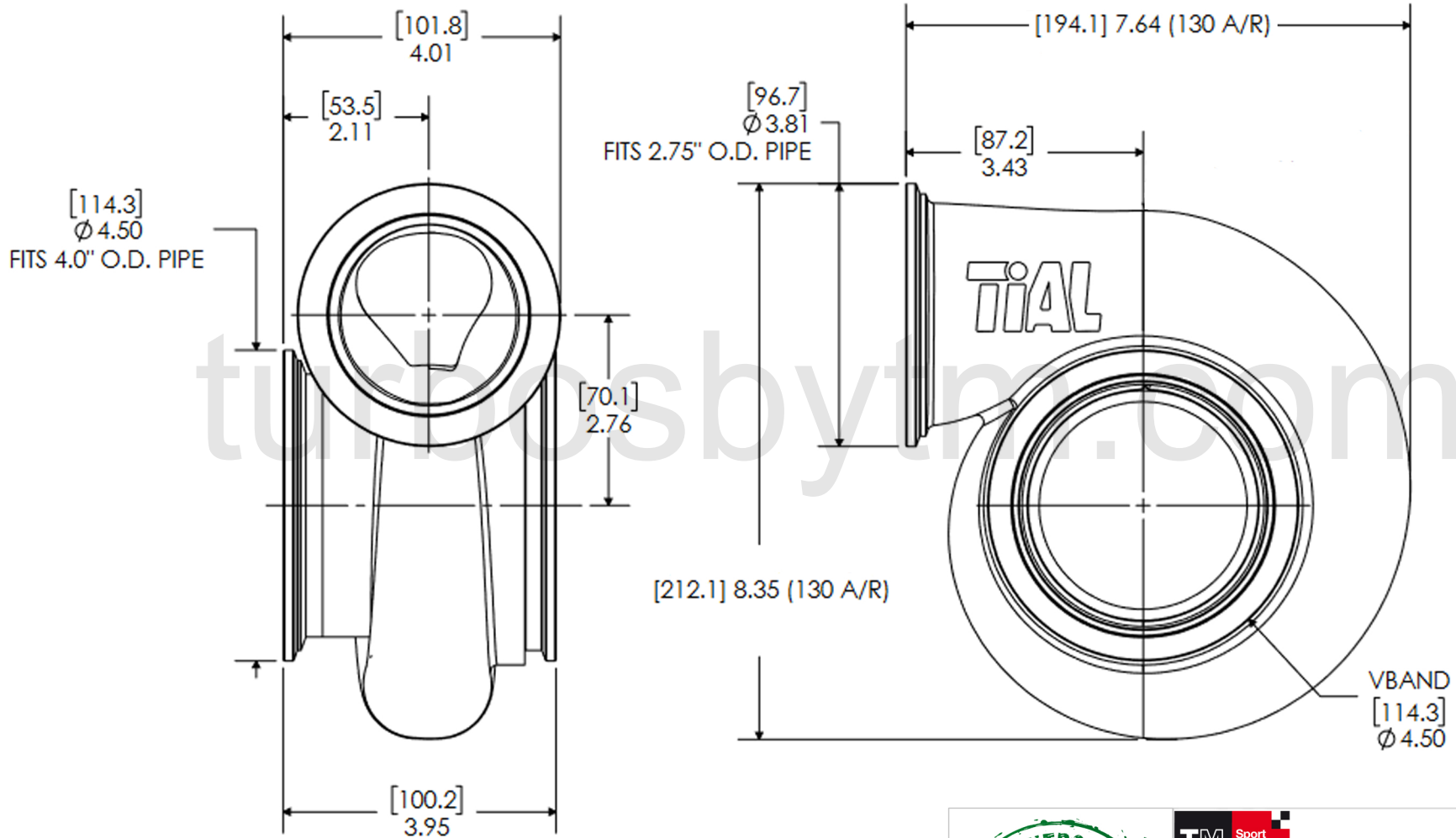


REV	DATE	RELEASED REVISION	DWN
A	-	RELEASED	-
-	-	-	-
-	-	-	-



	TITLE TiAL G40/1.30 V Bands - Trim 84	
SIZE A	PART NO. 757707-1430	REV A
MATERIAL Stainless steel	DRAWN: ACS	DATE: 15/11/2023
		CHECKED: _____
		SHEET: 1 OF 1

PROPRIETARY AND CONFIDENTIAL

Dimension in inches

MATERIAL **Stainless steel**

DRAWN: **ACS**

DATE: **15/11/2023**

CHECKED: _____

SHEET: 1 OF 1