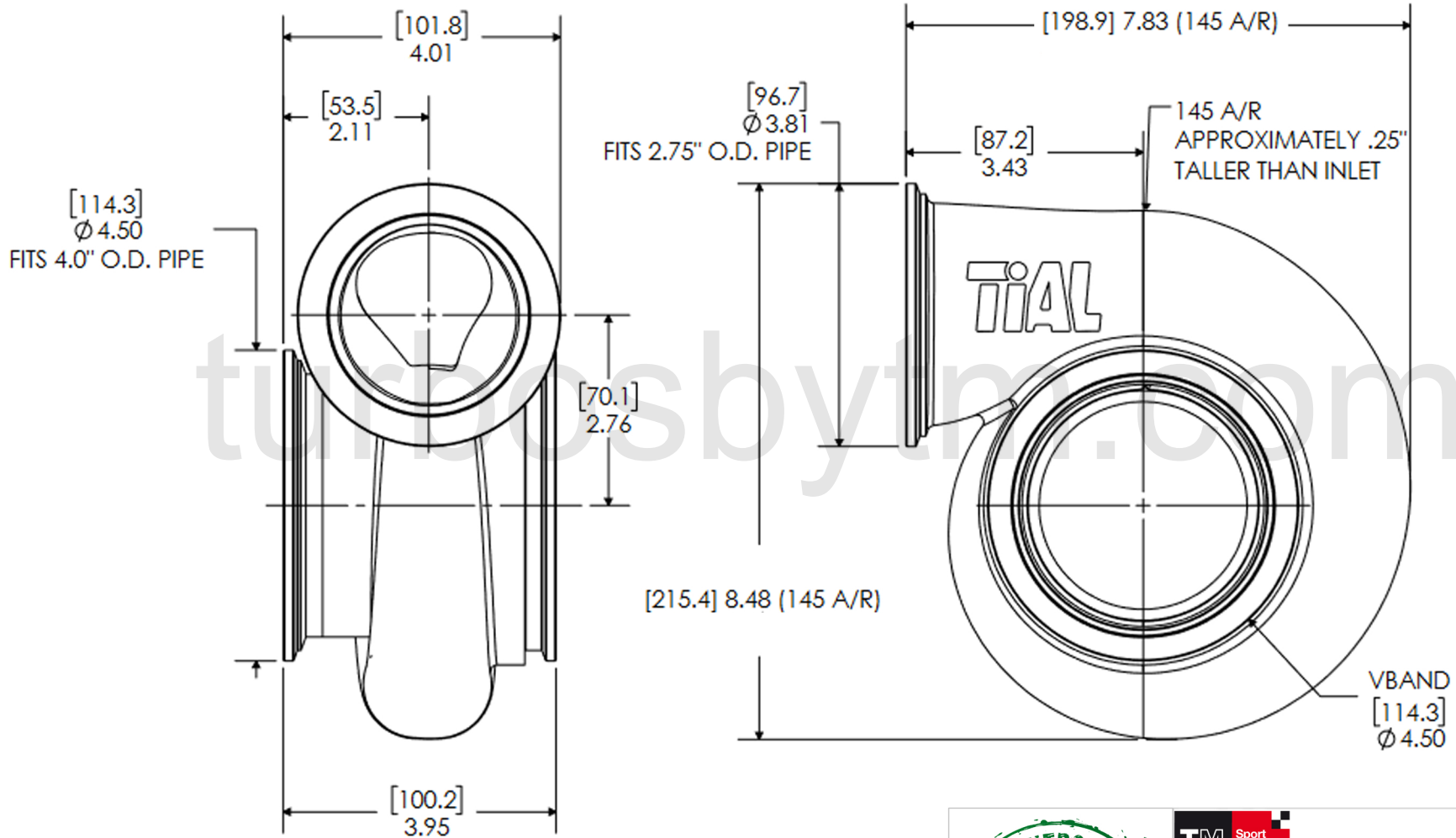





REV	DATE	RELEASED REVISION	DWN
A	-	RELEASED	-
-	-	-	-
-	-	-	-



		
	TITLE <b>TiAL G40/1.45 V Bands - Trim 84</b>	
SIZE <b>A</b>	PART NO. <b>757707-1445</b>	REV <b>A</b>
MATERIAL <b>Stainless steel</b>	DRAWN: <b>ACS</b>	DATE: <b>15/11/2023</b>
CHECKED:		SHEET: 1 OF 1

PROPRIETARY AND CONFIDENTIAL  
Dimension in inches